

PARTS LIST

[MX-K3]

* All printed circuit boards and its assemblies are not available as service parts.

Area suffix	
UJ -----	U.S.Military
US -----	Singapore
UT -----	Taiwan
UY -----	Argentina
UX -----	Saudi Arabia
UW -----	Brazil,Mexico,Peru

- Contents -

Exploded view of general assembly and parts list	3-2
Cassette mechanism assembly and parts list	3-5
CD mechanism assembly and parts list	3-6
Electrical parts list	3-9
Packing materials and accessories parts list	3-21

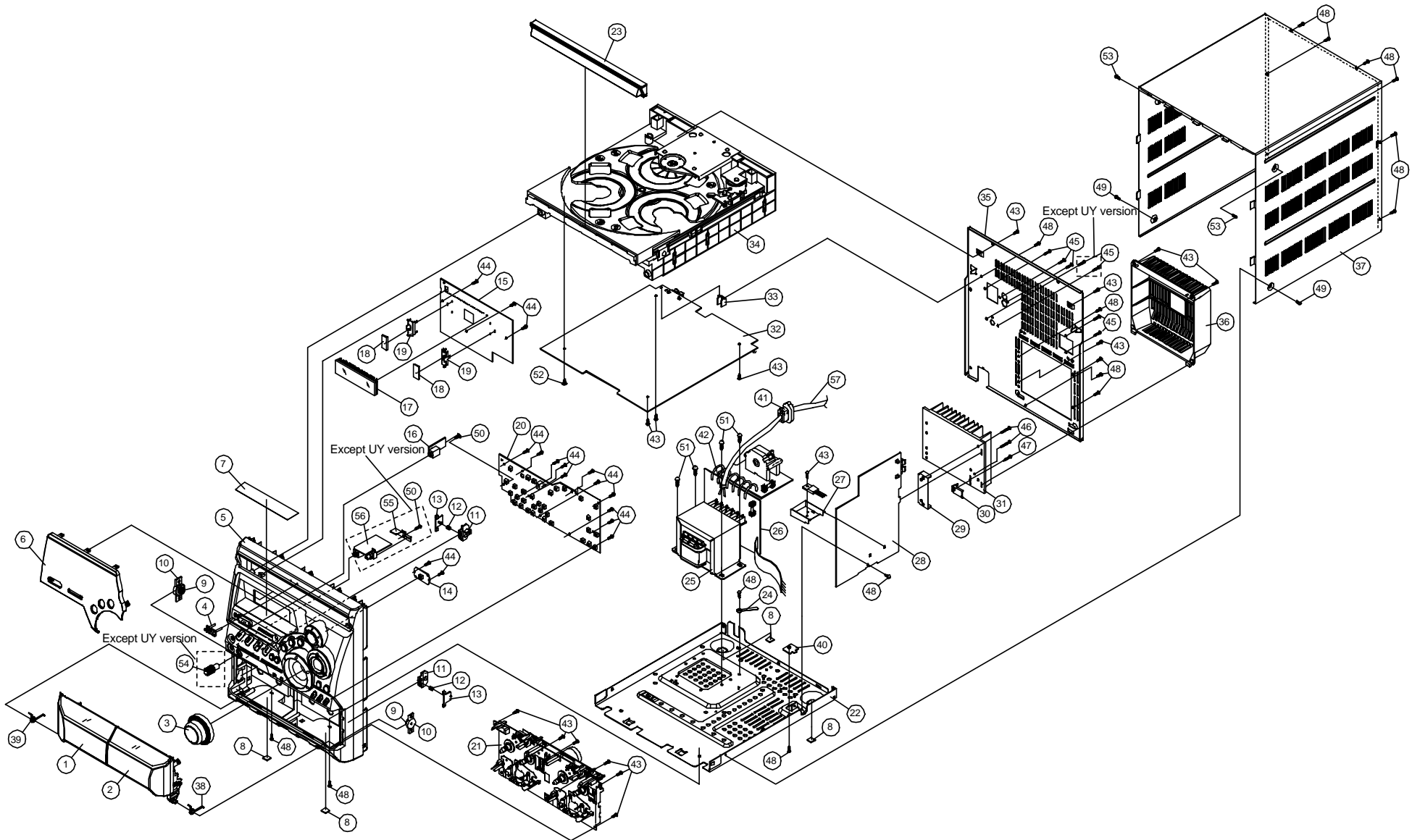
Exploded view of general assembly and parts list

Block No. M 1 M M

A

B

C



Parts list (General assembly)
Block No. M1MM

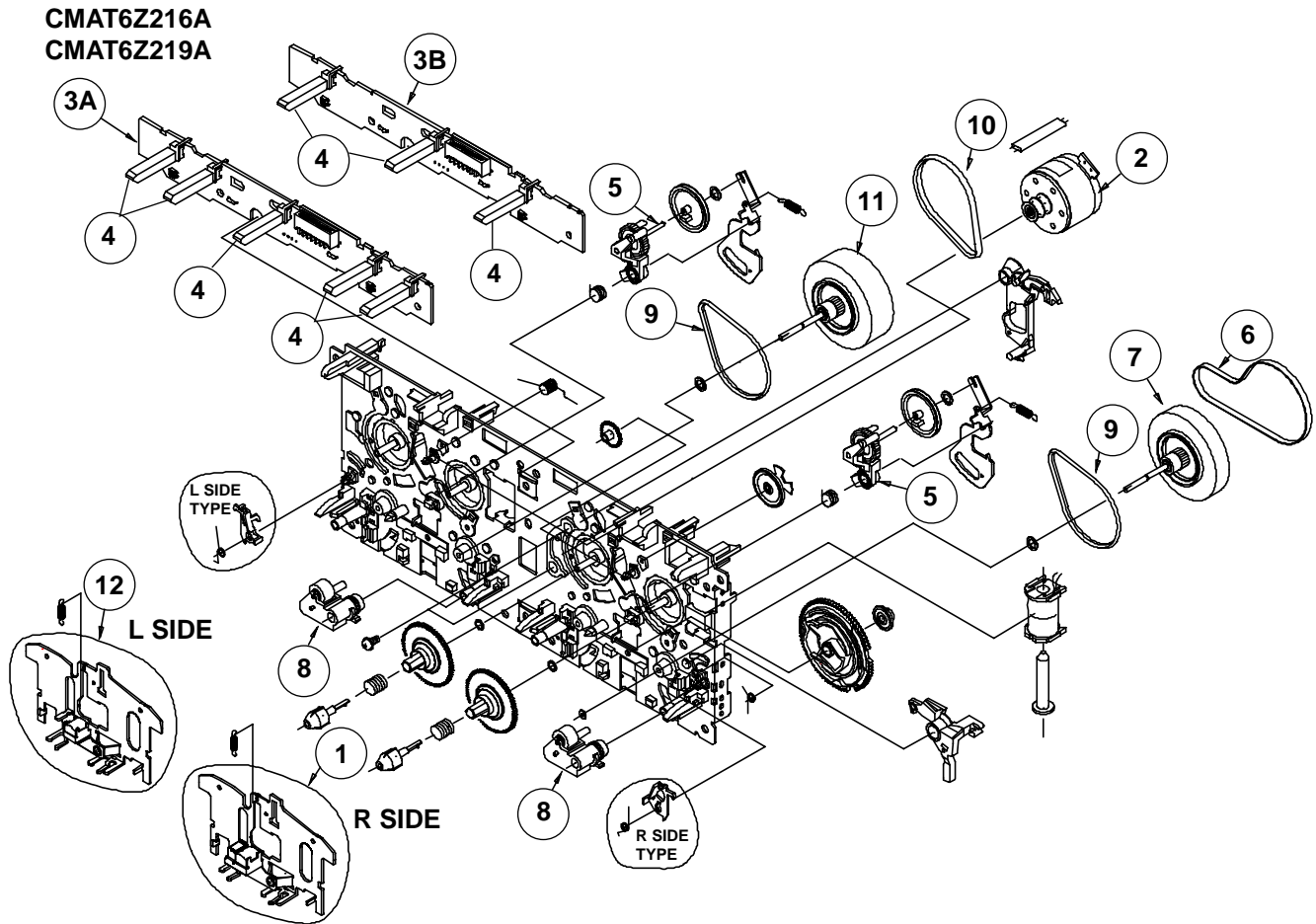
△	Item	Parts number	Parts name	Q'ty	Description	Area
	1	GJA2031003001C	CASSETTE DOOR	1	(L)ASS'Y	
	2	GJA2032001001C	CASSETTE DOOR	1	(R)ASS'Y	
	3	GJ4A05303001B0	VOLUME KNOB	1		
	4	GJ460170330201	JVC MARK	1		
	5	GJA2020062001C	FRONT CABINET	1	ASS'Y	US UW UT UX UJ
		GJA2020061001C	FRONT CABINET	1	ASS'Y	UY
	6	GJ4C05316001C0	DISPLAY LENS	1		
	7	GJ772007940101		1		
	8	GJ763000320106		4	10X10MM T=2MM	
	9	GJ660490020101	GEAR	2		
	10	GJ660490030101	GEAR BASE	2		
	11	GJ4D04048001A1	HOLDER LOCK	2		
	12	GJ422253701	SPRING	2	(LOCK) COMPRES	
	13	GJ460400250101	DOOR HOLDER	2	LOCKER	
	14	-----	SWITCH(1)PWB	1	ASS'Y	
	15	-----	CONTROL PWB	1	ASS'Y	
	16	-----	HEADPHONE PWB	1	ASS'Y	
	17	GJ373020041000	FL DISPLAY	1	BJ828GNK	
	18	GJ793000150001	SPONGY	2	8X20XT0.8 MM W/	
	19	GJ560530400101	DISPLAY BRACKET	2		
	20	-----	SWITCH(2)PWB	1	ASS'Y	
	21	-----	CASSETTE MECHAN	1	CMAT6Z216A	
	22	GJ560530200101	BOTTOM CASE	1		
	23	GJ4B05315001E0	CD FITTING	1		
	24	GJ727450540503	SOLDER TAG	1	M4.5X54X0.5MM W	
△	25	GJ336660180013	POWER TRANSFORM	1	EI-66 (T1)	
	26	-----	AC POWER PWB	1		
	27	GJ780000180100	HEAT SINK	1		
	28	-----	AMP PWB	1	ASS'Y	
	29	GJ560400060201		1		
	30	GJ560170110101		1		
	31	GJ780000210202	HEAT SINK	1		
	32	-----	MAIN PWB	1	ASS'Y	
	33	GJ560170040101	BRACKET PCB	1		
	34	GJA1005004001C	CD COMPLETED UN	1	W/ 910-EXLM75-0	
	35	GJ560530300408	REAR CASE	1		UT
		GJ560530300409	REAR CASE	1		UX
		GJ560530300407	REAR CASE	1		US UW UJ
		GJ560530300223	REAR CASE	1		UY
	36	GJ460400420101	HEAT SINK COVE	1		
	37	GJ560530100101	TOP CASE	1		
	38	GJ711001850101	CASSDOOR SPRING	1	(R)	
	39	GJ711001840100	CASSDOOR SPRING	1	(L)	
	40	GJ560170290101	OPENING BRACKET	1		
△	41	GJ796000030000	CORD BUSHING	1		
	42	GJ732000010101	CABLE TIE	1		
	43	GJ702244300810	SCREW	15		
	44	GJ702244260810	SCREW	16		

■ Parts list (General assembly)

Block No. M1MM

⚠	Item	Parts number	Parts name	Q'ty	Description	Area
	45	GJ702244301010	SCREW	7		US UW UT UX UJ
		GJ702244301010	SCREW	5		UY
	46	GJ702244301810	SCREW	2		
	47	GJ702244301410	SCREW	1		
	48	GJ702244300610	SCREW	16		
	49	GJ702244300650	SCREW	2		
	50	GJ703260800100	SCREW	1		UY
		GJ703260800100	SCREW	2		US UW UT UX UJ
	51	GJ702264400610	SCREW	4		
	52	GJ703300802000	SCREW	1		
	53	GJ702244301050	SCREW	2		
	54	GJ4A05314001B0	MIC KNOB	1		US UW UT UX UJ
	55	GJ560530600101	MIC BRACKET	1		US UW UT UX UJ
	56	-----	MIC ECHO MOUNTE	1	ASS'Y	US UW UT UX UJ
⚠	57	GJ350252002119	POWER CORD	1	2.5A 250V	US UW UJ
⚠		GJ350882002113	POWER CORD	1	6A 250V	UX UT
⚠		GJ350872052112	POWER CORD	1	10A 250V	UY

Cassette mechanism assembly and parts list

Block No. **M** **2** **M** **M**

Note: Parts listed on the Parts List below can be supplied. However, parts that are not listed below cannot be supplied individually but only by purchasing the whole Cassette Mechanism Assembly Unit. (When ordering, use the Parts No. CMAT6Z216A or CMAT6Z219A for Cassette Mechanism Assembly Unit.)

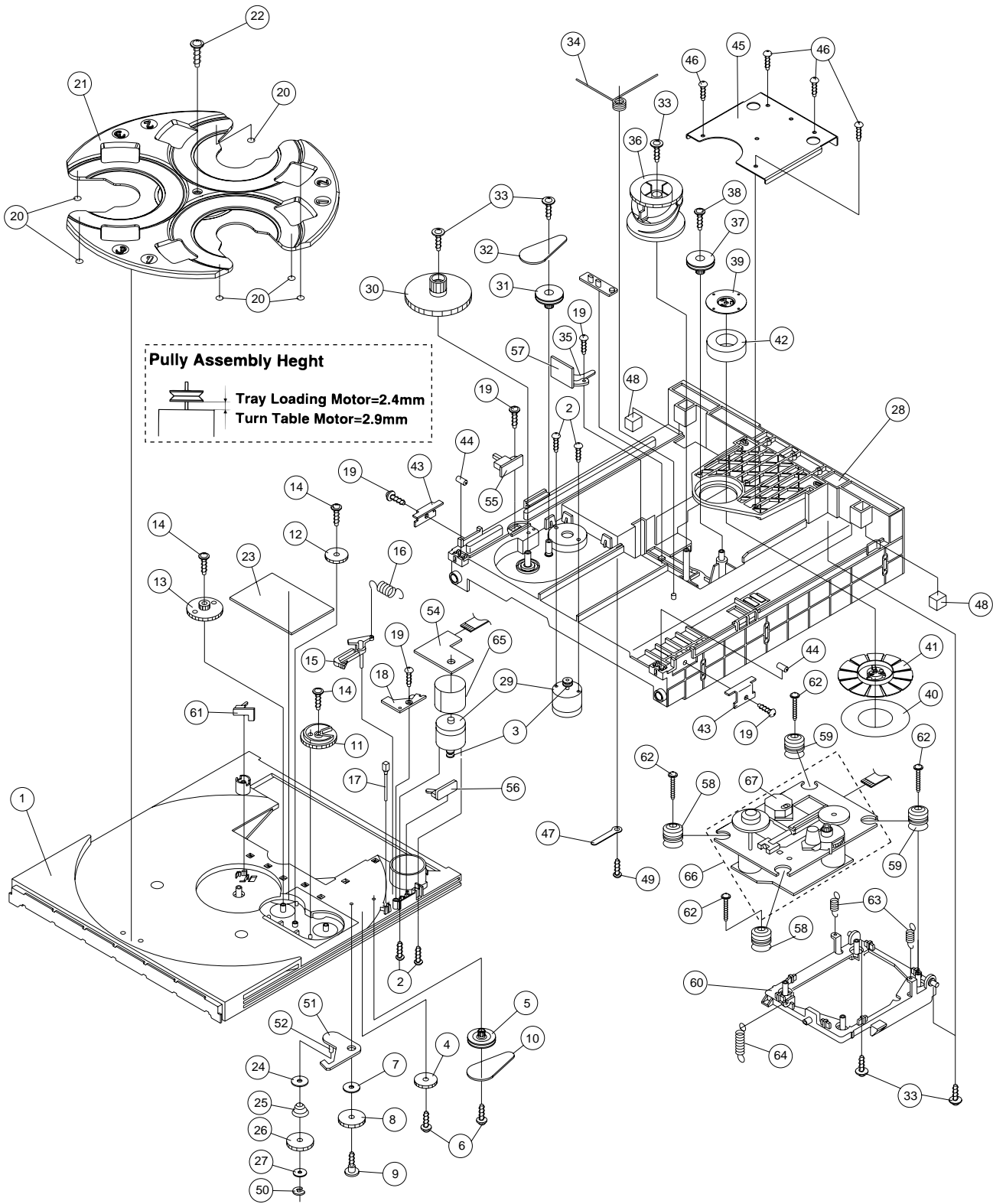
Parts list (Cassette mechanism)

Block No. **M2MM**

Item	Parts number	Parts name	Q'ty	Description	Area
1	F513-858	PLATE HD BLK	1		
2	F525-338	MTR MAIN BLK	1		
3A	-----	PCB CONTROL BLK	1	CMAT6Z216A	
3B	-----	PCB CONTROL BLK	1	CMAT6Z219A	
4	UE20P-12	LEAF SWITCH	5	CMAT6Z216A	
	UE20P-12	LEAF SWITCH	3	CMAT6Z219A	
5	F522-063	CLUTCH ASSY BLK	2		
6	FF19U-12	MAIN BELT	1		
7	FR25P-11	ASSY F/W	1		
8	F514-135	ROLLER PINCH BLK R	2		
9	FF19S-31	F/R BELT MO	2		
10	FF19N-11	MAIN BELT	1		
11	FR25R-11	ASSY F/W	1		
12	F513-855	PLATE HD BLK	1		

CD changer mechanism assembly and parts list

Block No. M 3 M M



Parts list (CD Changer mechanism)
Block No. M3MM

△	Item	Parts number	Parts name	Q'ty	Description	Area
	1	GJ4A0430201A1	TRAY	1		
	2	GJ701222260432	SCREW	4	M2.6 X 4	
	3	GJ4D01068100A1	MOTOR PULLEY	2	VE75984	
	4	GJ4D04300501A1	RELAY GEAR-A	1		
	5	GJ4D04301801A1	PULLEY GEAR	1		
	6	GJ700263260812	SCREW	2	2.6 X 8	
	7	GJ721271400500	METAL WASHER	1	2.7 X 14 X 0.5T	
	8	GJ4D04300601A1	RELAY GEAR-B	1		
	9	GJ703260000100	SCREW	1	SPECIAL	
	10	GJ560430010101	LOADING BELT	1		
	11	GJ4D04300901A1	TRAY LOCK GEAR	1		
	12	GJ4D04301001A1	RELAY GEAR-C	1		
	13	GJ4D04301101A1	TRAY GEAR	1		
	14	GJ700263260612	SCREW	3	2.6 X6	
	15	GJ4D04301301A2	S.S.W. LEVER	1	SENSOR	
	16	GJ711001630100	SPRING	1	SENSOR SWITCH	
	17	GJ460430220101	CUSHION RUBBER	1		
	18	GJ460430230101	GUIDE BRACKET	1	SENSOR SWICH	
	19	GJ70022320812	SCREW	5	2.6 X 8	
	20	GJ761000190100	CUSHION	6		
	21	GJ4A04300101A1	TURRETTO	1		
	22	GJ700263261042	SCREW	1	2.6 X 10 BLACK	
	23	GJ560430050101	BLIND SHEET	1		
	24	GJ729421400300	WASHER	1	4 X 14 X 0.3T	
	25	GJ711001620100	SPRING	1	CHANGER GEAR	
	26	GJ4D04300701A1	CHANGER GEAR	1		
	27	GJ721311000500	WASHER	1	3.1 X 10 X 0.5T	
	28	GJ4B04301201A2	MAIN CHASSIS	1		
	29	GJ381020310004	MOTOR	2	TRAY MOTOR	
	30	GJ4L04301901A1	SLIDE GEAR	1		
	31	GJ4D04300401A1	GEAR PULLEY -A	1		
	32	GJ560430060101	GEAR BELT	1	LOADING	
	33	GJ703330800202	SCREW	5	3 X 8	
	34	GJ711001640100	SPRING	1	CAM BRACKET	
	35	GJ460430160101	SWITCH LEVER	1		
	36	GJ4D04301401A1	UD CAM GEAR	1		
	37	GJ4D04301501A1	UD REDUCE GEAR	1		
	38	GJ700264200812	SCREW	1	2 X 10	
	39	GJ793312711	CHUCKING YOKE	1		
	40	GJ763000440100	FELT	1	35 X 65 X 0.5T	
	41	GJ4A04301703A1	CLAMPER	1		
	42	GJ383000040100	MAGNET	1		
	43	GJ560430070101	RAIL GUIDE	2		
	44	GJ4D04302001A1	ROLLER	2		
	45	GJ560430100101	M.C. BRACKET	1	MAIN SHASSIS	
	46	GJ700221300510	SCREW	4	3 X 5	
	47	GJ560430110101	EARTH TERMINAL	1		
	48	GJ761000220100	CUSHION	2	12 X 8 X 5T	

Parts list (CD Changer mechanism)

Block No. M3MM

△	Item	Parts number	Parts name	Q'ty	Description	Area
	49	GJ768564711	SCREW	1	3 X 10	
	50	GJ560430090101	E-RING	1		
	51	GJA2039002001A	CHANGE PLATE	1		
	52	GJ560430030101	C.GEAR SHAFT	1		
	54	-----	SWITCH PWB	1	TURN TABLE	
	55	-----	SWITCH PWB	1	TRAY SWITCH	
	56	-----	SWITCH PWB	1	DISC COUNT	
	57	-----	SWITCH PWB	1	PICK-UP	
	58	GJ302237001	RUBBER CUSHION	2	VIBRATION PROOF	
	59	GJ302237011	RUBBER CUSHION	2	VIBRATION PROOF	
	60	GJ4004302101A1	MECHA BASE	1		
	61	GJ390170021204	SWITCH	1		
	62	GJ700264261840	SCREW	4	2.6X8	
	63	GJ711001650100	SPRING	2	PU	
	64	GJ711001660100	SPRING	1	PU-A	
	65	GJ560400100101	SHIELD RING	1		
	66	EXL-M71-03	CD TRA MECHAT	1	WITH PIC UP	
	67	OPTIMA-7B	PICK-UP ASS'Y	1		

■ Electrical parts list (Main board)

Block No. 01

△	Item	Parts number	Parts name	Remarks	Area	△	Item	Parts number	Parts name	Remarks	Area
C 1	GJ116259621	C.CAPACITOR	25V F Z 0.022U			C 107	GJ270144750399	E.CAPACITOR	25V VX M 4.7UF		
C 2	GJ116222821	C.CAPACITOR	50V CH J 4.7PF			C 108	GJ270144750399	E.CAPACITOR	25V VX M 4.7UF		
C 3	GJ116229421	C.CAPACITOR	50V B K 1000PF			C 109	GJ270144750399	E.CAPACITOR	25V VX M 4.7UF		
C 4	GJ116259621	C.CAPACITOR	25V F Z 0.022U			C 110	GJ283108232415	P.CAPACITOR	50V K 0.082UF		
C 5	GJ111067121	C.CAPACITOR	47000PF F Z 50			C 111	GJ283108232415	P.CAPACITOR	50V K 0.082UF		
C 6	GJ264031002199	C.CAPACITOR	50V SL J 10PF			C 112	GJ283105622415	P.CAPACITOR	50V K 0.0056UF		
C 7	GJ116223421	C.CAPACITOR	50V CH J 12PF			C 113	GJ283101242415	P.CAPACITOR	FILM 50V K 0.		
C 8	GJ264100562199	C.CAPACITOR	50V CH K 5.6PF			C 114	GJ283101042415	P.CAPACITOR	FILM 50V K 0.		
C 9	GJ111067121	C.CAPACITOR	47000PF F Z 50			C 115	GJ270111070399	E.CAPACITOR	10V M 100UF		
C 10	GJ116230621	C.CAPACITOR	16V Y M 0.01UF			C 116	GJ270191050399	E.CAPACITOR	50V VX M 1UF		
C 11	GJ111067121	C.CAPACITOR	47000PF F Z 50			C 117	GJ270141060399	E.CAPACITOR	25V VX M 10UF		Except UY
C 12	GJ116230621	C.CAPACITOR	16V Y M 0.01UF			C 201	GJ264141012199	C.CAPACITOR	50V B K 100PF		
C 13	GJ270111070399	E.CAPACITOR	10V M 100UF			C 202	GJ270191050399	E.CAPACITOR	50V VX M 1UF		
C 14	GJ116259621	C.CAPACITOR	25V F Z 0.022U			C 203	GJ270191050399	E.CAPACITOR	50V VX M 1UF		
C 15	GJ116259621	C.CAPACITOR	25V F Z 0.022U			C 204	GJ270191050399	E.CAPACITOR	50V VX M 1UF		
C 16	GJ270141060399	E.CAPACITOR	25V VX M 10UF			C 205	GJ270191050399	E.CAPACITOR	50V VX M 1UF		
C 17	GJ116222621	C.CAPACITOR	50V CH J 3.3PF			C 206	GJ270144750399	E.CAPACITOR	25V VX M 4.7UF		
C 18	GJ116230621	C.CAPACITOR	16V Y M 0.01UF			C 207	GJ270144750399	E.CAPACITOR	25V VX M 4.7UF		
C 19	GJ116230621	C.CAPACITOR	16V Y M 0.01UF			C 208	GJ270144750399	E.CAPACITOR	25V VX M 4.7UF		
C 20	GJ116230621	C.CAPACITOR	16V Y M 0.01UF			C 209	GJ270144750399	E.CAPACITOR	25V VX M 4.7UF		
C 21	GJ264100822199	C.CAPACITOR	50V CH J 8.2PF			C 210	GJ283108232415	P.CAPACITOR	50V K 0.082UF		
C 22	GJ116229421	C.CAPACITOR	50V B K 1000PF			C 211	GJ283108232415	P.CAPACITOR	50V K 0.082UF		
C 23	GJ116230621	C.CAPACITOR	16V Y M 0.01UF			C 212	GJ283105622415	P.CAPACITOR	50V K 0.0056U		
C 24	GJ116229421	C.CAPACITOR	50V B K 1000PF			C 213	GJ283101242415	P.CAPACITOR	FILM 50V K 0.		
C 25	GJ270144750399	E.CAPACITOR	25V VX M 4.7UF			C 214	GJ283101042415	P.CAPACITOR	FILM 50V K 0.		
C 27	GJ116230221	C.CAPACITOR	16V X M 0.0022U			C 215	GJ270111070399	E.CAPACITOR	10V M 100UF		
C 27	GJ261013312499	C.CAPACITOR	50V B K 390PF			C 216	GJ270191050399	E.CAPACITOR	50V VX M 1UF		
C 28	GJ282034742415	M.CAPACITOR	50V J 0.47UF			C 217	GJ270141060399	E.CAPACITOR	25V VX M 10UF		Except UY
C 29	GJ270192240399	E.CAPACITOR	50V VX M 0.22U			C 301	GJ116229421	C.CAPACITOR	50V B K 1000PF		
C 30	GJ270193350399	E.CAPACITOR	50V VX M 3.3UF			C 303	GJ270192250399	E.CAPACITOR	50V VX M 2.2UF		
C 33	GJ270192260399	E.CAPACITOR	50V M 22UF			C 304	GJ116229421	C.CAPACITOR	50V B K 1000PF		
C 34	GJ116259621	C.CAPACITOR	25V F Z 0.022U			C 305	GJ270121070399	E.CAPACITOR	16V VX M 100UF		
C 36	GJ283101832415	P.CAPACITOR	50V K 0.018UF			C 306	GJ270114760399	E.CAPACITOR	10V M 47UF		
C 37	GJ283101832415	P.CAPACITOR	50V K 0.018UF			C 307	GJ116229321	C.CAPACITOR	50V B K 820PF		
C 38	GJ116229421	C.CAPACITOR	50V B K 1000PF			C 308	GJ283101532415	P.CAPACITOR	50V K 0.015UF		
C 39	GJ116229421	C.CAPACITOR	50V B K 1000PF			C 309	GJ116230621	C.CAPACITOR	16V Y M 0.01UF		
C 40	GJ270192250399	E.CAPACITOR	50V VX M 2.2UF			C 310	GJ270121070399	E.CAPACITOR	16V VX M 100UF		
C 41	GJ270192250399	E.CAPACITOR	50V VX M 2.2UF			C 311	GJ283106822415	P.CAPACITOR	50V K 0.068UF		
C 42	GJ116229421	C.CAPACITOR	50V B K 1000PF			C 312	GJ282031032415	M.CAPACITOR	FILM 50V J 0.0		
C 43	GJ116229421	C.CAPACITOR	50V B K 1000PF			C 313	GJ116230621	C.CAPACITOR	16V Y M 0.01UF		
C 50	GJ270124760399	E.CAPACITOR	16V M 47UF			C 314	GJ116230621	C.CAPACITOR	16V Y M 0.01UF		
C 51	GJ116223421	C.CAPACITOR	50V CH J 12PF			C 315	GJ116230621	C.CAPACITOR	16V Y M 0.01UF		
C 52	GJ116223421	C.CAPACITOR	50V CH J 12PF			C 316	GJ116230621	C.CAPACITOR	16V Y M 0.01UF		
C 53	GJ282031052499	M.CAPACITOR	50V J 1			C 317	GJ270121070399	E.CAPACITOR	16V VX M 100UF		
C 54	GJ283103922415	P.CAPACITOR	50V K 0.0039UF			C 318	GJ270144750399	E.CAPACITOR	25V VX M 4.7UF		
C 55	GJ116229021	C.CAPACITOR	50V B K 470PF			C 319	GJ270121080199	E.CAPACITOR	16V M 1000UF		
C 56	GJ116230621	C.CAPACITOR	16V Y M 0.01UF			C 320	GJ264141512199	C.CAPACITOR	50V B K 150PF		
C 57	GJ116230621	C.CAPACITOR	16V Y M 0.01UF			C 321	GJ264141512199	C.CAPACITOR	50V B K 150PF		
C 58	GJ116229421	C.CAPACITOR	50V B K 1000PF			C 322	GJ264141512199	C.CAPACITOR	50V B K 150PF		
C 59	GJ270111070399	E.CAPACITOR	10V M 100UF			C 323	GJ116230621	C.CAPACITOR	16V Y M 0.01UF		
C 60	GJ116230621	C.CAPACITOR	16V Y M 0.01UF			C 324	GJ270111070399	E.CAPACITOR	10V M 100UF		
C 61	GJ264141012199	C.CAPACITOR	50V B K 100PF			C 325	GJ270192250399	E.CAPACITOR	50V VX M 2.2UF		
C 62	GJ264141012199	C.CAPACITOR	50V B K 100PF			C 326	GJ116230621	C.CAPACITOR	16V Y M 0.01UF		
C 63	GJ264141012199	C.CAPACITOR	50V B K 100PF			C 327	GJ270121060399	E.CAPACITOR	16V M 10UF		
C 65	GJ116259621	C.CAPACITOR	25V F Z 0.022U			C 328	GJ270124760399	E.CAPACITOR	16V M 47UF		
C 66	GJ270124760399	E.CAPACITOR	16V M 47UF			C 329	GJ116230621	C.CAPACITOR	16V Y M 0.01UF		
C 67	GJ116230621	C.CAPACITOR	16V Y M 0.01UF			C 330	GJ264141012199	C.CAPACITOR	50V B K 100PF		
C 101	GJ264141012199	C.CAPACITOR	50V B K 100PF			C 331	GJ270111070399	E.CAPACITOR	10V M 100UF		
C 102	GJ270191050399	E.CAPACITOR	50V VX M 1UF			C 332	GJ270124760399	E.CAPACITOR	16V M 47UF		
C 103	GJ270191050399	E.CAPACITOR	50V VX M 1UF			C 334	GJ270191050399	E.CAPACITOR	50V VX M 1UF		
C 104	GJ270191050399	E.CAPACITOR	50V VX M 1UF			C 335	GJ270144750399	E.CAPACITOR	25V VX M 4.7UF		
C 105	GJ270191050399	E.CAPACITOR	50V VX M 1UF			C 336	GJ270191050399	E.CAPACITOR	50V VX M 1UF		
C 106	GJ270144750399	E.CAPACITOR	25V VX M 4.7UF			C 337	GJ270124760399	E.CAPACITOR	16V M 47UF		

■ Electrical parts list (Main board)

Block No. 01

△	Item	Parts number	Parts name	Remarks	Area
	C 338	GJ116229421	C.CAPACITOR	50V B K 1000PF	
	C 339	GJ116230621	C.CAPACITOR	16V Y M 0.01UF	
	C 341	GJ116230621	C.CAPACITOR	16V Y M 0.01UF	
	C 342	GJ116230621	C.CAPACITOR	16V Y M 0.01UF	
	C 343	GJ270121080199	E.CAPACITOR	16V M 1000UF	
	C 345	GJ116230621	C.CAPACITOR	16V Y M 0.01UF	
	C 346	GJ270121060399	E.CAPACITOR	16V M 10UF	
	C 365	GJ270122260399	E.CAPACITOR	16V M 22UF	Except UY
	C 366	GJ270191050399	E.CAPACITOR	50V VX M 1UF	Except UY
	C 367	GJ270191050399	E.CAPACITOR	50V VX M 1UF	Except UY
	C 368	GJ28203342499	M.CAPACITOR	50V J 0.33UF	Except UY
	C 369	GJ283106832415	P.CAPACITOR	50V K 0.068UF	Except UY
	C 370	GJ270141060399	E.CAPACITOR	25V VX M 10UF	Except UY
	C 371	GJ116230621	C.CAPACITOR	16V Y M 0.01UF	
	C 401	GJ264146812199	C.CAPACITOR	680PF BX 10% 50	
	C 402	GJ264146812199	C.CAPACITOR	680PF BX 10% 50	
	C 403	GJ116221121	C.CAPACITOR	50V SL J 33PF	
	C 404	GJ283101832415	P.CAPACITOR	50V K 0.018UF	
	C 405	GJ270111070399	E.CAPACITOR	10V M 100UF	
	C 407	GJ270144750399	E.CAPACITOR	25V VX M 4.7UF	
	C 408	GJ270144750399	E.CAPACITOR	25V VX M 4.7UF	
	C 409	GJ116229421	C.CAPACITOR	50V B K 1000PF	
	C 410	GJ264263322199	C.CAPACITOR	16V X M 0.0033U	
	C 411	GJ270141060399	E.CAPACITOR	25V VX M 10UF	
	C 413	GJ260771812499	C.CAPACITOR	50V SL J 180PF	
	C 414	GJ116229421	C.CAPACITOR	50V B K 1000PF	
	C 415	GJ270144750399	E.CAPACITOR	25V VX M 4.7UF	
	C 417	GJ116229021	C.CAPACITOR	50V B K 470PF	
	C 418	GJ116230221	C.CAPACITOR	16V X M 0.0022U	
	C 501	GJ264146812199	C.CAPACITOR	680PF BX 10% 50	
	C 502	GJ264146812199	C.CAPACITOR	680PF BX 10% 50	
	C 503	GJ116221121	C.CAPACITOR	50V SL J 33PF	
	C 504	GJ283101832415	P.CAPACITOR	50V K 0.018UF	
	C 505	GJ270111070399	E.CAPACITOR	10V M 100UF	
	C 507	GJ270144750399	E.CAPACITOR	25V VX M 4.7UF	
	C 508	GJ270144750399	E.CAPACITOR	25V VX M 4.7UF	
	C 509	GJ116229421	C.CAPACITOR	50V B K 1000PF	
	C 510	GJ264263322199	C.CAPACITOR	16V X M 0.0033U	
	C 511	GJ270141060399	E.CAPACITOR	25V VX M 10UF	
	C 513	GJ260771812499	C.CAPACITOR	50V SL J 180PF	
	C 515	GJ270144750399	E.CAPACITOR	25V VX M 4.7UF	
	C 517	GJ116229021	C.CAPACITOR	50V B K 470PF	
	C 518	GJ116230221	C.CAPACITOR	16V X M 0.0022U	
	C 601	GJ282033342499	M.CAPACITOR	50V J 0.33UF	
	C 602	GJ116230221	C.CAPACITOR	16V X M 0.0022U	
	C 603	GJ116230221	C.CAPACITOR	16V X M 0.0022U	
	C 604	GJ116230221	C.CAPACITOR	16V X M 0.0022U	
	C 605	GJ270112270399	E.CAPACITOR	10V VX M 220UF	
	C 606	GJ116256191	C.CAPACITOR	0.1MF F Z% 16V	
	C 607	GJ116259621	C.CAPACITOR	25V F Z 0.022U	
	C 608	GJ116256191	C.CAPACITOR	0.1MF F Z% 16V	
	C 610	GJ270112270399	E.CAPACITOR	10V VX M 220UF	
	C 611	GJ116256191	C.CAPACITOR	0.1MF F Z% 16V	
	C 612	GJ116259621	C.CAPACITOR	25V F Z 0.022U	
	C 613	GJ116259621	C.CAPACITOR	25V F Z 0.022U	
	C 614	GJ113718891	M.F.CAPACITOR	0.15MF 5% 50V	
	C 615	GJ282031052499	M.CAPACITOR	50V J 1	
	C 616	GJ116223421	C.CAPACITOR	50V CH J 12PF	
	C 617	GJ116223421	C.CAPACITOR	50V CH J 12PF	
	C 618	GJ270191060399	E.CAPACITOR	10MF 20% 50V	
	C 619	GJ116256191	C.CAPACITOR	0.1MF F Z% 16V	
	C 620	GJ116256191	C.CAPACITOR	0.1MF F Z% 16V	
	C 621	GJ270112270399	E.CAPACITOR	10V VX M 220UF	

△	Item	Parts number	Parts name	Remarks	Area
	C 622	GJ270121060399	E.CAPACITOR	16V M 10UF	
	C 624	GJ270114760399	E.CAPACITOR	10V M 47UF	
	C 626	GJ116256191	C.CAPACITOR	0.1MF F Z% 16V	
	C 627	GJ116221121	C.CAPACITOR	50V SL J 33PF	
	C 628	GJ283103932415	P.CAPACITOR	50V K 0.039UF	
	C 629	GJ111067121	C.CAPACITOR	47000PF F Z 50	
	C 630	GJ116230221	C.CAPACITOR	16V X M 0.0022U	
	C 631	GJ270112270399	E.CAPACITOR	10V VX M 220UF	
	C 632	GJ111067121	C.CAPACITOR	47000PF F Z 50	
	C 633	GJ283101522415	P.CAPACITOR	50V K 0.0015U	
	C 634	GJ264264722101	C.CAPACITOR	16V X M 0.0047U	
	C 635	GJ283101042415	P.CAPACITOR	FILM 50V K 0.	
	C 636	GJ116259621	C.CAPACITOR	25V F Z 0.022U	
	C 637	GJ282034742415	M.CAPACITOR	50V J 0.47UF	
	C 638	GJ116256191	C.CAPACITOR	0.1MF F Z% 16V	
	C 639	GJ270111070399	E.CAPACITOR	10V M 100UF	
	C 640	GJ116259621	C.CAPACITOR	25V F Z 0.022U	
	C 642	GJ264031002199	C.CAPACITOR	50V SL J 10PF	
	C 643	GJ264141012199	C.CAPACITOR	50V B K 100PF	
	C 644	GJ116259621	C.CAPACITOR	25V F Z 0.022U	
	C 645	GJ116259621	C.CAPACITOR	25V F Z 0.022U	
	C 646	GJ283102722415	P.CAPACITOR	50V K 0.0027U	
	C 647	GJ283102722415	P.CAPACITOR	50V K 0.0027U	
	C 648	GJ116259621	C.CAPACITOR	25V F Z 0.022U	
	C 649	GJ270191060399	E.CAPACITOR	10MF 20% 50V	
	C 650	GJ270112270399	E.CAPACITOR	10V VX M 220UF	
	C 651	GJ116259621	C.CAPACITOR	25V F Z 0.022U	
	C 652	GJ116228921	C.CAPACITOR	50V B K 390PF	
	C 653	GJ116228921	C.CAPACITOR	50V B K 390PF	
	C 654	GJ283106822415	P.CAPACITOR	50V K 0.068UF	
	C 656	GJ264264722101	C.CAPACITOR	16V X M 0.0047U	
	C 658	GJ116228921	C.CAPACITOR	50V B K 390PF	
	C 659	GJ116228921	C.CAPACITOR	50V B K 390PF	
	C 660	GJ116229421	C.CAPACITOR	50V B K 1000PF	
	C 661	GJ116229421	C.CAPACITOR	50V B K 1000PF	
	C 673	GJ264141012199	C.CAPACITOR	50V B K 100PF	
	C 690	GJ116229021	C.CAPACITOR	50V B K 470PF	
	C 797	GJ112427491	E.CAPACITOR	4.7MF 50V	
	C 851	GJ270194750399	E.CAPACITOR	50V VX M 4.7UF	Except UY
	C 852	GJ264264722199	C.CAPACITOR	16V X M 0.0047	Except UY
	C 853	GJ282031232399	M.F.CAPACITOR	0.012MF 5% 50	Except UY
	C 854	GJ282031032415	M.CAPACITOR	50V J 0.01UF	Except UY
	C 855	GJ270111070399	E.CAPACITOR	10V VX M 100UF	Except UY
	C 856	GJ264271032199	C.CAPACITOR	16V Y M 0.01	Except UY
	C 857	GJ264141012199	C.CAPACITOR	50V B K 100PF	Except UY
	C 858	GJ270122260399	E.CAPACITOR	16V VX M 22UF	Except UY
	C 859	GJ282031032415	M.CAPACITOR	50V J 0.01UF	Except UY
	C 860	GJ282034742499	M.CAPACITOR	50V J 0.47UF	Except UY
	C 861	GJ264263322199	C.CAPACITOR	16V X M 0.0033	Except UY
	C 862	GJ264271032199	C.CAPACITOR	16V Y M 0.01	Except UY
	C 863	GJ270192250399	E.CAPACITOR	50V VX M 2.2UF	Except UY
	C 864	GJ264141512199	C.CAPACITOR	50V B K 150PF	Except UY
	C 865	GJ264141512199	C.CAPACITOR	50V B K 150PF	Except UY
	C 866	GJ261013312499	C.CAPACITOR	50V B K 330PF	Except UY
	C 867	GJ270191050399	E.CAPACITOR	50V VX M 1UF	Except UY
	C 868	GJ270194750399	E.CAPACITOR	50V VX M 4.7UF	Except UY
	C 869	GJ270111070399	E.CAPACITOR	10V VX M 100UF	Except UY
	C 870	GJ270112270399	E.CAPACITOR	10V VX M 220UF	Except UY
	C 871	GJ262774732499	C.CAPACITOR	50V F Z 0.047UF	Except UY
	C 872	GJ264143912199	C.CAPACITOR	50V B K 390PF	Except UY
	C 873	GJ264143912199	C.CAPACITOR	50V B K 390PF	Except UY
	C 874	GJ270121060399	E.CAPACITOR	16V VX M 10UF	Except UY
	C 875	GJ264271032199	C.CAPACITOR	16V Y M 0.01	Except UY

■ Electrical parts list (Main board)

Block No. 01

△	Item	Parts number	Parts name	Remarks	Area	△	Item	Parts number	Parts name	Remarks	Area
	C 876	GJ270191050399	E.CAPACITOR	E 50V VX M 1UF	Except UY		IC102	GJ313010023103	IC	BA15218 DIP	
	CF 1	GJ176012711	C.FILTER	CDA10.7 MG74 S			IC301	GJ313030071103	IC	BA3837	Except UY
	CF 2	GJ176012711	C.FILTER	CDA10.7 MG74 S			IC401	GJ313080521101	IC	TA8189N	
	CF 3	GJ176012711	C.FILTER	CDA10.7 MG74 S			IC402	GJ313070041101	IC	TC74HC4094AP	
	CN301	GJ340022230102	CONNECTOR	P=1.25MM 23PIN	Except UY		IC601	GJ313060841223	IC	MN662748RPMFA	
	CN301	GJ340022200102	CONNECTOR		UY		IC611	GJ313020851323	IC	AN22000A	
	CN302	GJ340022200102	CONNECTOR	P=1.25MM 20PI			IC621	GJ313050221003	IC	BA5936S	
	CN305	GJ340022150102	CONNECTOR	P=1.25MM 15PIN			IC851	GJ875945378	IC	BU9253FS-E2US/	Except UY
	CN306	GJ340072050102	CONNECTOR	5PINS P=2.5MM			IC852	GJ313010022103	IC	BA15218F (SOP)	Except UY
	CN307	GJ345202030101	CONNECTOR	3PINS ST P=2MM			J 1	GJ342040190113	SPK JACK	4PIN BLACK (MSP)	
	CN308	GJ345202080101	CONNECTOR	P=2MM 8PIN			J 301	GJ342030140109	RCA JACK	D=8.2MM 4PINS B	
	CN601	GJ340122150102	CONNECTOR	P=1MM 15PIN			J 850	GJ342010240113	JACK	D=3.5MM BLACK (Except UY
	CN602	GJ345201060101	WAFER	6PINS RA P=2MM			L 1	GJ241112292102	INDUCTOR	2.2UH 5% Q40	
	CN603	GJ345202070101	CONNECTOR	7PINSP=2MM)			L 2	GJ320130010103	COIL	BLOCK 0796-001	
	CN604	GJ340022050102	FFC CONNECTOR	5PIN P=1.25MM			L 3	GJ320020260109	COIL	FM RF (VQC1505-	
	CN605	GJ340021050102	CONNECTOR	5PIN P=1.25 RA			L 4	GJ320020270109	COIL	FM OSC	
	D 1	GJ310010220205	DIODE	1SS133T-77			L 5	GJ141052131	INDUCTOR	100UH 5% Q40	
	D 2	GJ310010220205	DIODE	1SS133T-77			L 6	GJ241112202102	INDUCTOR	22UH 10% Q40	
	D 3	GJ310010220205	DIODE	1SS133T-77			L 7	GJ371010100005	FERRITE BEAD	LGK0305TBA	
	D 4	GJ310010220205	DIODE	1SS133T-77			L 36	GJ371010100005	FERRITE BEAD	LGK0305TBA	
	D 5	GJ310010220205	DIODE	1SS133T-77			L 50	GJ241112212102	INDUCTOR	220UH 10% Q40	
	D 6	GJ310010220205	DIODE	1SS133T-77			L 301	GJ320060040105	BIAS COIL	BLACK R0655-OD1	
	D 7	GJ310050080104	VARIABLE DIODE	FM CAP SVC203SP			L 303	GJ371010100005	FERRITE BEAD	LGK0305TBA	
	D 8	GJ310050080104	VARIABLE DIODE	FM CAP SVC203SP			L 304	GJ371010100005	FERRITE BEAD	LGK0305TBA	
	D 9	GJ310010220205	DIODE	1SS133T-77			L 305	GJ241131001301	INDUCTOR	10UH (LAL 04 SK	
	D 10	GJ310010220205	DIODE	1SS133T-77			L 307	GJ371010100005	FERRITE BEAD	LGK0305TBA	
	D 50	GJ310010220205	DIODE	1SS133T-77			L 601	GJ241111002102	INDUCTOR	10UH 5% Q40	
	D 51	GJ310010220205	DIODE	1SS133T-77			L 843	GJ686062350000	BARE WIRE	DIA=0.6MM (15MM	Except UY
	D 301	GJ310010220205	DIODE	1SS133T-77			L 844	GJ686062350000	BARE WIRE	DIA=0.6MM (15MM	Except UY
	D 302	GJ310010220205	DIODE	1SS133T-77			LC 1	GJ123671122	B.P.FILTER	GFMB3-1-T	
	D 307	GJ310030011705	ZENER DIODE	MTZJ-T-77-5.1A			M 1	GJ381020310004	TURN T.MOTOR		
	D 308	GJ310010220205	DIODE	1SS133T-77			M 2	GJ381020310004	TURN T.MOTOR	M31E-1 (TURN T	
	D 309	GJ310010220205	DIODE	1SS133T-77			P-SW	GJ390070031204	PICK UP SWITCH	DOUBLE SWING	
	D 310	GJ310010220205	DIODE	1SS133T-77			Q 1	GJ312030141210	TRANSISTOR	KTC3194	
	D 311	GJ310010220205	DIODE	1SS133T-77			Q 2	GJ312030152210	TRANSISTOR	KTC3195(Y)	
	D 312	GJ310010220205	DIODE	1SS133T-77			Q 3	GJ312010331203	TRANSISTOR	DTC114YS-TP	
	D 313	GJ310010220205	DIODE	1SS133T-77			Q 4	GJ312010331203	TRANSISTOR	DTC114YS-TP	
	D 314	GJ310010220205	DIODE	1SS133T-77			Q 5	GJ312011191210	TRANSISTOR	KRA107M	
	D 321	GJ310010220205	DIODE	1SS133T-77			Q 7	GJ312030111210	TRANSISTOR	KTC3199TP-GR	
	D 322	GJ310010220205	DIODE	1SS133T-77			Q 8	GJ312011231210	TRANSISTOR	KTA1267Y	
	D 323	GJ310020020104	DIODE	1N4001			Q 101	GJ312030111210	TRANSISTOR	KTC3199TP-GR	
	D 324	GJ310010220205	DIODE	1SS133T-77			Q 201	GJ312030111210	TRANSISTOR	KTC3199TP-GR	
	D 325	GJ310010220205	DIODE	1SS133T-77			Q 301	GJ312030131210	TRANSISTOR	KTC3200 (GR) TA	
	D 601	GJ310010220205	DIODE	1SS133T-77			Q 302	GJ312011191210	TRANSISTOR	KRA107M	
	D 602	GJ310010220205	DIODE	1SS133T-77			Q 303	GJ872903686	TRANSISTOR	KTC3203Y	
	D 605	GJ310020020104	DIODE	1N4001			Q 304	GJ312011231210	TRANSISTOR	KTA1267Y	
	D 606	GJ310020020104	DIODE	1N4001			Q 305	GJ312011321203	TRANSISTOR	DTC144ESA-TP	
	D 607	GJ310020020104	DIODE	1N4001			Q 306	GJ312011321203	TRANSISTOR	DTC144ESA-TP	
	D 851	GJ310010220205	DIODE	1SS133T-77	Except UY		Q 307	GJ312010331203	TRANSISTOR	DTC114YS-TP	UY
	D 852	GJ310030011705	ZENER DIODE	MTZJ-T-77-5.1A	Except UY		Q 308	GJ312011321203	TRANSISTOR	DTC144ESA-TP	
	FB601	GJ371010100005	FERRITE BEAD	LGK0305TBA			Q 309	GJ312011251210	TRANSISTOR	KTA1273(Y)	
	FF601	GJ353150100107	FFC/FPC CABLE	15PINS P=1MM L			Q 310	GJ312030111210	TRANSISTOR	KTC3199TP-GR	
	FF603	GJ353130170107	FFC CABLE	13PINS P=1.25MM			Q 311	GJ312011251210	TRANSISTOR	KTA1273(Y)	
	FF604	GJ353050300107	FFC CABLE	5PINS P=1.25MM			Q 312	GJ312030111210	TRANSISTOR	KTC3199TP-GR	
	FW303	GJ353110190107	CABLE FLAT	11PINS L=190MM			Q 313	GJ312011251210	TRANSISTOR	KTA1273(Y)	
	FW602	GJ354005690100	WIRE KIT	6PIN P=2.0MM			Q 315	GJ312030111210	TRANSISTOR	KTC3199TP-GR	
	FW852	GJ353050280107	FLAT CABLE	5PINS P=2.5 L=	Except UY		Q 316	GJ312030111210	TRANSISTOR	KTC3199TP-GR	
	HW603	GJ156538621	HOLDER				Q 317	GJ312030111210	TRANSISTOR	KTC3199TP-GR	
	HW606	GJ156538421	HOLDER				Q 318	GJ312030111210	TRANSISTOR	KTC3199TP-GR	
	HW607	GJ157328721	HOLDER				Q 319	GJ312011921210	TRANSISTOR	KTA1270Y	
	IC 1	GJ313011361106	IC	LA1823 DIP			Q 320	GJ312010331203	TRANSISTOR	DTC114YS-TP	Except UY
	IC 2	GJ313070221000	IC	LC72136N			Q 321	GJ312010331203	TRANSISTOR	DTC114YS-TP	
	IC101	GJ313070541318	IC	TDA7440D			Q 322	GJ312011191210	TRANSISTOR	KRA107M	

■ Electrical parts list (Main board)

Block No. 01

△	Item	Parts number	Parts name	Remarks	Area	△	Item	Parts number	Parts name	Remarks	Area
	Q 323	GJ312011191210	TRANSISTOR	KRA107M			R 68	GJ250034732199	CARBON RESISTOR	1/4WM J 47K	
	Q 324	GJ312011191210	TRANSISTOR	KRA107M			R 69	GJ250034732199	CARBON RESISTOR	1/4WM J 47K	
	Q 325	GJ312010331203	TRANSISTOR	DTC114YS-TP			R 70	GJ250034732199	CARBON RESISTOR	1/4WM J 47K	
	Q 327	GJ3120111231210	TRANSISTOR	KTA1267Y			R 71	GJ250033322199	CARBON RESISTOR	1/4WM J 3.3K	
	Q 401	GJ312020204203	TRANSISTOR	2SD2144S-TP-UVW			R 72	GJ250031042199	CARBON RESISTOR	1/4WM J 100K	
	Q 402	GJ312020204203	TRANSISTOR	2SD2144S-TP-UVW			R 73	GJ250031022199	CARBON RESISTOR	1/4WM J 1K	
	Q 403	GJ312030111210	TRANSISTOR	KTC3199TP-GR			R 73	GJ250034712199	CARBON RESISTOR	1/4WM J 470	
	Q 404	GJ312030111210	TRANSISTOR	KTC3199TP-GR		△	R 74	GJ255053301611	FUSE RESISTOR	1/4W J 33 OHM	
	Q 405	GJ312030111210	TRANSISTOR	KTC3199TP-GR			R 101	GJ250033932199	CARBON RESISTOR	1/4WM J 39K	
	Q 501	GJ312020204203	TRANSISTOR	2SD2144S-TP-UVW			R 102	GJ250036822199	CARBON RESISTOR	1/4WM J 6.8K	
	Q 502	GJ312020204203	TRANSISTOR	2SD2144S-TP-UVW			R 103	GJ250032222199	CARBON RESISTOR	1/4WM J 2.2K	
	Q 503	GJ312030111210	TRANSISTOR	KTC3199TP-GR			R 104	GJ250032222199	CARBON RESISTOR	1/4WM J 2.2K	
	Q 504	GJ312030111210	TRANSISTOR	KTC3199TP-GR			R 105	GJ250031542199	CARBON RESISTOR	1/4WM J 150K	
	Q 505	GJ312030111210	TRANSISTOR	KTC3199TP-GR			R 106	GJ250036822199	CARBON RESISTOR	1/4WM J 6.8K	
	Q 601	GJ3120111231210	TRANSISTOR	KTA1267Y			R 108	GJ250031032199	CARBON RESISTOR	1/4WM J 10K	
	Q 602	GJ312010331203	TRANSISTOR	DTC114YS-TP			R 109	GJ250031222199	CARBON RESISTOR	1/4WM J 1.2K	
	Q 851	GJ312020204203	TRANSISTOR	2SD2144S-TP-UVW	Except UY		R 110	GJ250032222199	CARBON RESISTOR	1/4WM J 2.2K	
	Q 852	GJ312020055202	TRANSISTOR	2SC2785	Except UY		R 111	GJ250031032199	CARBON RESISTOR	1/4WM J 10K	
	Q 853	GJ312011191210	TRANSISTOR	KRA107M	Except UY		R 112	GJ250035622199	CARBON RESISTOR	1/4WM J 5.6K	
	R 1	GJ250031522199	CARBON RESISTOR	1/4WM J 1.5K			R 113	GJ250031032199	CARBON RESISTOR	1/4WM J 10K	
	R 2	GJ250031042199	CARBON RESISTOR	1/4WM J 100K			R 114	GJ250031022199	CARBON RESISTOR	1/4WM J 1K	
	R 3	GJ250031022199	CARBON RESISTOR	1/4WM J 1K			R 115	GJ250032232199	CARBON RESISTOR	1/4WM J 22K	
	R 4	GJ250031042199	CARBON RESISTOR	1/4WM J 100K			R 201	GJ250033932199	CARBON RESISTOR	1/4WM J 39K	
	R 5	GJ250031042199	CARBON RESISTOR	1/4WM J 100K			R 202	GJ250036822199	CARBON RESISTOR	1/4WM J 6.8K	
	R 6	GJ250034732199	CARBON RESISTOR	1/4WM J 47K			R 203	GJ250032222199	CARBON RESISTOR	1/4WM J 2.2K	
	R 7	GJ250034732199	CARBON RESISTOR	1/4WM J 47K			R 204	GJ250032222199	CARBON RESISTOR	1/4WM J 2.2K	
	R 8	GJ250031002199	CARBON RESISTOR	1/4WM J 10			R 205	GJ250031542199	CARBON RESISTOR	1/4WM J 150K	
	R 9	GJ250031002199	CARBON RESISTOR	1/4WM J 10			R 206	GJ250036822199	CARBON RESISTOR	1/4WM J 6.8K	
	R 10	GJ250034712199	CARBON RESISTOR	1/4WM J 470			R 208	GJ250031032199	CARBON RESISTOR	1/4WM J 10K	
	R 11	GJ250033312199	CARBON RESISTOR	1/4WM J 330			R 209	GJ250031222199	CARBON RESISTOR	1/4WM J 1.2K	
	R 12	GJ250034742199	CARBON RESISTOR	1/4WM J 470K			R 210	GJ250032222199	CARBON RESISTOR	1/4WM J 2.2K	
	R 13	GJ250033302199	CARBON RESISTOR	1/4WM J 33			R 211	GJ250031032199	CARBON RESISTOR	1/4WM J 10K	
	R 14	GJ250033312199	CARBON RESISTOR	1/4WM J 330			R 212	GJ250035622199	CARBON RESISTOR	1/4WM J 5.6K	
	R 15	GJ250031532199	CARBON RESISTOR	1/4WM J 15K			R 213	GJ250031032199	CARBON RESISTOR	1/4WM J 10K	
	R 16	GJ250032202199	CARBON RESISTOR	1/4WM J 22			R 214	GJ250031022199	CARBON RESISTOR	1/4WM J 1K	
	R 17	GJ250031012199	CARBON RESISTOR	1/4WM J 100			R 215	GJ250032232199	CARBON RESISTOR	1/4WM J 22K	
	R 18	GJ250032242199	CARBON RESISTOR	1/4WM J 220K			R 301	GJ250031022199	CARBON RESISTOR	1/4WM J 1K	
	R 19	GJ250031222199	CARBON RESISTOR	1/4WM J 1.2K			R 302	GJ250032212199	CARBON RESISTOR	1/4WM J 220	
	R 20	GJ250031012199	CARBON RESISTOR	1/4WM J 100			R 303	GJ250031022199	CARBON RESISTOR	1/4WM J 1K	
	R 21	GJ250033322199	CARBON RESISTOR	1/4WM J 3.3K			R 304	GJ250031012199	CARBON RESISTOR	1/4WM J 100	
	R 22	GJ250031042199	CARBON RESISTOR	1/4WM J 100K			R 305	GJ250031032199	CARBON RESISTOR	1/4WM J 10K	
	R 23	GJ250035622199	CARBON RESISTOR	1/4WM J 5.6K			R 306	GJ250031052199	CARBON RESISTOR	1/4WM J 1M	
	R 24	GJ250035622199	CARBON RESISTOR	1/4WM J 5.6K			R 307	GJ250031032199	CARBON RESISTOR	1/4WM J 10K	
	R 25	GJ250032222199	CARBON RESISTOR	1/4WM J 2.2K			R 308	GJ250031032199	CARBON RESISTOR	1/4WM J 10K	
	R 26	GJ250032222199	CARBON RESISTOR	1/4WM J 2.2K			R 309	GJ250031002199	CARBON RESISTOR	1/4WM J 10	
	R 27	GJ250031012199	CARBON RESISTOR	1/4WM J 100			R 310	GJ250033302199	CARBON RESISTOR	1/4WM J 33	
	R 51	GJ250031022199	CARBON RESISTOR	1/4WM J 1K			R 311	GJ250034792199	CARBON RESISTOR	1/4WM J 4.7	
	R 52	GJ250034722199	CARBON RESISTOR	1/4WM J 4.7K			R 312	GJ250031022199	CARBON RESISTOR	1/4WM J 1K	
	R 53	GJ250033322199	CARBON RESISTOR	1/4WM J 3.3K			R 313	GJ250031032199	CARBON RESISTOR	1/4WM J 10K	UY
	R 54	GJ250031822199	CARBON RESISTOR	1/4WM J 1.8K			R 314	GJ250031032199	CARBON RESISTOR	1/4WM J 10K	UY
	R 55	GJ250034722199	CARBON RESISTOR	1/4WM J 4.7K			R 315	GJ250031032199	CARBON RESISTOR	1/4WM J 10K	UY
	R 56	GJ250034722199	CARBON RESISTOR	1/4WM J 4.7K			R 316	GJ250031032199	CARBON RESISTOR	1/4WM J 10K	
	R 57	GJ250033312199	CARBON RESISTOR	1/4WM J 330			R 317	GJ250034722199	CARBON RESISTOR	1/4WM J 4.7K	
	R 58	GJ250031012199	CARBON RESISTOR	1/4WM J 100			R 318	GJ250031032199	CARBON RESISTOR	1/4WM J 10K	UY
	R 59	GJ250031032199	CARBON RESISTOR	1/4WM J 10K			R 319	GJ250032232199	CARBON RESISTOR	1/4WM J 22K	
	R 60	GJ250031022199	CARBON RESISTOR	1/4WM J 1K			R 320	GJ250034732199	CARBON RESISTOR	1/4WM J 47K	
	R 61	GJ250031022199	CARBON RESISTOR	1/4WM J 1K			R 321	GJ250032222199	CARBON RESISTOR	1/4WM J 2.2K	
	R 62	GJ250031022199	CARBON RESISTOR	1/4WM J 1K			R 322	GJ250032222199	CARBON RESISTOR	1/4WM J 2.2K	
	R 63	GJ250031022199	CARBON RESISTOR	1/4WM J 1K			R 323	GJ250032222199	CARBON RESISTOR	1/4WM J 2.2K	
	R 64	GJ250031022199	CARBON RESISTOR	1/4WM J 1K			R 324	GJ250032222199	CARBON RESISTOR	1/4WM J 2.2K	
	R 65	GJ250031022199	CARBON RESISTOR	1/4WM J 1K			R 325	GJ250032222199	CARBON RESISTOR	1/4WM J 2.2K	
	R 66	GJ250034732199	CARBON RESISTOR	1/4WM J 47K			R 328	GJ250031032199	CARBON RESISTOR	1/4WM J 10K	
	R 67	GJ250034732199	CARBON RESISTOR	1/4WM J 47K			R 329	GJ250032232199	CARBON RESISTOR	1/4WM J 22K	

■ Electrical parts list (Main board)

Block No. 01

△	Item	Parts number	Parts name	Remarks	Area	△	Item	Parts number	Parts name	Remarks	Area
	R 330	GJ250034732199	CARBON RESISTOR	1/4WM J 47K			R 422	GJ250031022199	CARBON RESISTOR	1/4WM J 1K	
	R 331	GJ250033322199	CARBON RESISTOR	1/4WM J 3.3K			R 423	GJ25003222199	CARBON RESISTOR	1/4WM J 2.2K	
	R 332	GJ250034722199	CARBON RESISTOR	1/4WM J 4.7K			R 501	GJ250031042199	CARBON RESISTOR	1/4WM J 100K	
	R 333	GJ250031512199	CARBON RESISTOR	1/4WM J 150			R 502	GJ250036822199	CARBON RESISTOR	1/4WM J 6.8K	
	R 334	GJ250033322199	CARBON RESISTOR	1/4WM J 3.3K			R 504	GJ250031012199	CARBON RESISTOR	1/4WM J 100	
	R 335	GJ250034722199	CARBON RESISTOR	1/4WM J 4.7K			R 505	GJ250038222199	CARBON RESISTOR	1/4WM J 8.2K	
	R 336	GJ250031512199	CARBON RESISTOR	1/4WM J 150			R 506	GJ250038222199	CARBON RESISTOR	1/4WM J 8.2K	
	R 337	GJ250033322199	CARBON RESISTOR	1/4WM J 3.3K			R 507	GJ250036832199	CARBON RESISTOR	1/4WM J 68K	
	R 338	GJ250031022199	CARBON RESISTOR	1/4WM J 1K			R 508	GJ250033322199	CARBON RESISTOR	1/4WM J 3.3K	
	R 339	GJ25003222199	CARBON RESISTOR	1/4WM J 2.2K			R 509	GJ250031542199	CARBON RESISTOR	1/4WM J 150K	
	R 340	GJ25003222199	CARBON RESISTOR	1/4WM J 2.2K			R 510	GJ250031222199	CARBON RESISTOR	1/4WM J 1.2K	
	R 341	GJ25003222199	CARBON RESISTOR	1/4WM J 2.2K			R 512	GJ250031822199	CARBON RESISTOR	1/4WM J 1.8K	
	R 344	GJ250031022199	CARBON RESISTOR	1/4WM J 1K			R 513	GJ250032232199	CARBON RESISTOR	1/4WM J 22K	
	R 345	GJ250031022199	CARBON RESISTOR	1/4WM J 1K			R 514	GJ250034722199	CARBON RESISTOR	1/4WM J 4.7K	
	R 346	GJ250034702199	CARBON RESISTOR	1/4WM J 47			R 515	GJ250031032199	CARBON RESISTOR	1/4WM J 10K	
	R 347	GJ250031022199	CARBON RESISTOR	1/4WM J 1K			R 516	GJ250036822199	CARBON RESISTOR	1/4WM J 6.8K	
	R 348	GJ25003222199	CARBON RESISTOR	1/4WM J 2.2K			R 517	GJ250032232199	CARBON RESISTOR	1/4WM J 22K	
	R 349	GJ250032212199	CARBON RESISTOR	1/4WM J 220			R 518	GJ25003222199	CARBON RESISTOR	1/4WM J 2.2K	
	R 350	GJ250031022199	CARBON RESISTOR	1/4WM J 1K			R 521	GJ250031022199	CARBON RESISTOR	1/4WM J 1K	
	R 351	GJ250031042199	CARBON RESISTOR	1/4WM J 100K			R 522	GJ250031022199	CARBON RESISTOR	1/4WM J 1K	
	R 352	GJ250031532199	CARBON RESISTOR	1/4WM J 15K			R 523	GJ25003222199	CARBON RESISTOR	1/4WM J 2.2K	
	R 353	GJ250031812199	CARBON RESISTOR	1/4WM J 180			R 601	GJ250032722199	CARBON RESISTOR	1/4WM J 2.7K	
	R 354	GJ250038212199	CARBON RESISTOR	1/4WM J 820			R 602	GJ250031212199	CARBON RESISTOR	1/4WM J 120	
	R 355	GJ250033302199	CARBON RESISTOR	1/4WM J 33			R 603	GJ250031022199	CARBON RESISTOR	1/4WM J 1K	
	R 356	GJ250032212199	CARBON RESISTOR	1/4WM J 220			R 604	GJ250031022199	CARBON RESISTOR	1/4WM J 1K	
	R 357	GJ250031032199	CARBON RESISTOR	1/4WM J 10K			R 605	GJ250032212199	CARBON RESISTOR	1/4WM J 220	
	R 358	GJ250031042199	CARBON RESISTOR	1/4WM J 100K			R 611	GJ250031032199	CARBON RESISTOR	1/4WM J 10K	
	R 359	GJ250034712199	CARBON RESISTOR	1/4WM J 470			R 615	GJ250031022199	CARBON RESISTOR	1/4WM J 1K	
	R 361	GJ250033322199	CARBON RESISTOR	1/4WM J 3.3K			R 616	GJ250033932199	CARBON RESISTOR	1/4WM J 39K	
△	R 362	GJ255052291699	FUSEBLE RESISTO	1/4W J 2.2 OHM			R 617	GJ250031052199	CARBON RESISTOR	1/4WM J 1M	
	R 363	GJ250034712199	CARBON RESISTOR	1/4WM J 470			R 618	GJ250036832199	CARBON RESISTOR	1/4WM J 68K	
	R 364	GJ250034732199	CARBON RESISTOR	1/4WM J 47K			R 619	GJ250031012199	CARBON RESISTOR	1/4WM J 100	
	R 365	GJ250033322199	CARBON RESISTOR	1/4WM J 3.3K			R 621	GJ250036832199	CARBON RESISTOR	1/4WM J 68K	
	R 366	GJ250036822199	CARBON RESISTOR	1/4WM J 6.8K			R 622	GJ250036832199	CARBON RESISTOR	1/4WM J 68K	
	R 367	GJ250031032199	CARBON RESISTOR	1/4WM J 10K			R 623	GJ250031242199	CARBON RESISTOR	1/4WM J 120K	
	R 368	GJ250034732199	CARBON RESISTOR	1/4WM J 47K			R 624	GJ250031552199	CARBON RESISTOR	1/4WM J 1.5M	
	R 369	GJ250034732199	CARBON RESISTOR	1/4WM J 47K			R 625	GJ250033312199	CARBON RESISTOR	1/4WM J 330	
	R 371	GJ250032232199	CARBON RESISTOR	1/4WM J 22K			R 626	GJ250035642199	CARBON RESISTOR	1/4WM J 560K	
	R 372	GJ250032232199	CARBON RESISTOR	1/4WM J 22K			R 628	GJ250035622199	CARBON RESISTOR	1/4WM J 5.6K	
	R 373	GJ25003222199	CARBON RESISTOR	1/4WM J 2.2K			R 629	GJ250031032199	CARBON RESISTOR	1/4WM J 10K	
	R 375	GJ250034722199	CARBON RESISTOR	1/4WM J 4.7K	Except UY		R 630	GJ250031032199	CARBON RESISTOR	1/4WM J 10K	
	R 376	GJ250034722199	CARBON RESISTOR	1/4WM J 4.7K	Except UY		R 631	GJ250031032199	CARBON RESISTOR	1/4WM J 10K	
	R 377	GJ250032212199	CARBON RESISTOR	1/4WM J 220	Except UY		R 632	GJ250031002199	CARBON RESISTOR	1/4WM J 10	
	R 378	GJ250031022199	CARBON RESISTOR	1/4WM J 1K	Except UY		R 633	GJ250031002199	CARBON RESISTOR	1/4WM J 10	
	R 379	GJ250032232199	CARBON RESISTOR	1/4WM J 22K	Except UY		R 634	GJ250031202199	CARBON RESISTOR	1/4WM J 12	
	R 380	GJ250031032199	CARBON RESISTOR	1/4WM J 10K	Except UY		R 635	GJ250033932199	CARBON RESISTOR	1/4WM J 39K	
	R 401	GJ250031042199	CARBON RESISTOR	1/4WM J 100K			R 636	GJ250032232199	CARBON RESISTOR	1/4WM J 22K	
	R 402	GJ250036822199	CARBON RESISTOR	1/4WM J 6.8K			R 637	GJ25003222199	CARBON RESISTOR	1/4WM J 2.2K	
	R 404	GJ250031012199	CARBON RESISTOR	1/4WM J 100			R 638	GJ250033322199	CARBON RESISTOR	1/4WM J 3.3K	
	R 405	GJ250038222199	CARBON RESISTOR	1/4WM J 8.2K			R 639	GJ250036822199	CARBON RESISTOR	1/4WM J 6.8K	
	R 406	GJ250038222199	CARBON RESISTOR	1/4WM J 8.2K			R 640	GJ250036822199	CARBON RESISTOR	1/4WM J 6.8K	
	R 407	GJ250036832199	CARBON RESISTOR	1/4WM J 68K			R 642	GJ250031542199	CARBON RESISTOR	1/4WM J 150K	
	R 408	GJ250033322199	CARBON RESISTOR	1/4WM J 3.3K			R 643	GJ250034742199	CARBON RESISTOR	1/4WM J 470K	
	R 409	GJ250031542199	CARBON RESISTOR	1/4WM J 150K			R 644	GJ250031542199	CARBON RESISTOR	1/4WM J 150K	
	R 410	GJ250031222199	CARBON RESISTOR	1/4WM J 1.2K			R 645	GJ250032742199	CARBON RESISTOR	1/4WM J 270K	
	R 412	GJ250031822199	CARBON RESISTOR	1/4WM J 1.8K			R 646	GJ250032242199	CARBON RESISTOR	1/4WM J 220K	
	R 413	GJ250032232199	CARBON RESISTOR	1/4WM J 22K			R 647	GJ250031032199	CARBON RESISTOR	1/4WM J 10K	
	R 414	GJ250034722199	CARBON RESISTOR	1/4WM J 4.7K			R 648	GJ250031032199	CARBON RESISTOR	1/4WM J 10K	
	R 415	GJ250031032199	CARBON RESISTOR	1/4WM J 10K			R 649	GJ250032292199	CARBON RESISTOR	1/4WM J 2.2	
	R 416	GJ250036822199	CARBON RESISTOR	1/4WM J 6.8K			R 650	GJ250034722199	CARBON RESISTOR	1/4WM J 4.7K	
	R 417	GJ250032232199	CARBON RESISTOR	1/4WM J 22K			R 651	GJ250032732199	CARBON RESISTOR	1/4WM J 27K	
	R 418	GJ25003222199	CARBON RESISTOR	1/4WM J 2.2K			R 652	GJ250031222199	CARBON RESISTOR	1/4WM J 1.2K	
	R 421	GJ250031022199	CARBON RESISTOR	1/4WM J 1K			R 653	GJ250031222199	CARBON RESISTOR	1/4WM J 1.2K	

■ Electrical parts list (Main board)

Block No. 01

△	Item	Parts number	Parts name	Remarks	Area
	R 654	GJ250031232199	CARBON RESISTOR	1/4WM J 12K	
	R 655	GJ250032432199	CARBON RESISTOR	1/4WM J 24K	
	R 656	GJ250032722199	CARBON RESISTOR	1/4WM J 2.7K	
	R 657	GJ250033922199	CARBON RESISTOR	1/4WM J 3.9K	
	R 659	GJ250031042199	CARBON RESISTOR	1/4WM J 100K	
	R 662	GJ250035622199	CARBON RESISTOR	1/4WM J 5.6K	
	R 663	GJ250035622199	CARBON RESISTOR	1/4WM J 5.6K	
	R 664	GJ250032232199	CARBON RESISTOR	1/4WM J 22K	
	R 665	GJ250032232199	CARBON RESISTOR	1/4WM J 22K	
	R 666	GJ250031022199	CARBON RESISTOR	1/4WM J 1K	
	R 667	GJ250033332199	CARBON RESISTOR	1/4WM J 33K	
	R 668	GJ250032722199	CARBON RESISTOR	1/4WM J 2.7K	
	R 669	GJ250032712199	CARBON RESISTOR	1/4WM J 270	
	R 670	GJ250033942199	CARBON RESISTOR	1/4WM J 390K	
	R 671	GJ250038222199	CARBON RESISTOR	1/4WM J 8.2K	
	R 672	GJ250033332199	CARBON RESISTOR	1/4WM J 33K	
	R 673	GJ250033332199	CARBON RESISTOR	1/4WM J 33K	
	R 675	GJ250038222199	CARBON RESISTOR	1/4WM J 8.2K	
	R 840	GJ250034722199	CARBON RESISTOR	1/6W J 4.7K	Except UY
	R 851	GJ250032232199	CARBON RESISTOR	1/6W J 22K	Except UY
	R 852	GJ250038222199	CARBON RESISTOR	1/6W J 8.2K	Except UY
	R 853	GJ250031032199	CARBON RESISTOR	1/6W J 10K	Except UY
	R 855	GJ250033932199	CARBON RESISTOR	1/6W J 39K	Except UY
	R 856	GJ250038232199	CARBON RESISTOR	1/6W J 8.2K	Except UY
	R 857	GJ250033332199	CARBON RESISTOR	1/6W J 33K	Except UY
	R 858	GJ250031032199	CARBON RESISTOR	1/6W J 10K	Except UY
	R 859	GJ250034722199	CARBON RESISTOR	1/6W J 4.7K	Except UY
	R 860	GJ250031532199	CARBON RESISTOR	1/6W J 15K	Except UY
	R 861	GJ250034712199	CARBON RESISTOR	1/6W J 470	Except UY
	R 862	GJ250031022199	CARBON RESISTOR	1/6W J 1K	Except UY
	R 863	GJ250034722199	CARBON RESISTOR	1/6W J 4.7K	Except UY
	R 864	GJ250034702199	CARBON RESISTOR	1/6W J 47	Except UY
	R 865	GJ250032732199	CARBON RESISTOR	1/6W J 27K	Except UY
	R 866	GJ250033912199	CARBON RESISTOR	1/6W J 390	Except UY
	R 867	GJ250031522199	CARBON RESISTOR	1/6W J 1.5K	Except UY
	R 868	GJ250034752199	CARBON RESISTOR	1/6W J 4.7K	Except UY
	R 869	GJ250035612199	CARBON RESISTOR	1/6W J 560	Except UY
	R 870	GJ250034722199	CARBON RESISTOR	1/6W J 4.7K	Except UY
	R 871	GJ250034722199	CARBON RESISTOR	1/6W J 4.7K	Except UY
	R 872	GJ250032212199	CARBON RESISTOR	1/6W J 220	Except UY
	R 873	GJ250031232199	CARBON RESISTOR	1/6W J 12K	Except UY
	R 874	GJ250031032199	CARBON RESISTOR	1/6W J 10K	Except UY
	R 875	GJ250032232199	CARBON RESISTOR	1/6W J 22K	Except UY
	R 876	GJ250034732199	CARBON RESISTOR	1/6W J 47	Except UY
	R 878	GJ250031042199	CARBON RESISTOR	1/6W J 100K	Except UY
	R 879	GJ250034722199	CARBON RESISTOR	1/6W J 4.7K	Except UY
	R 880	GJ250032232199	CARBON RESISTOR	1/6W J 22K	Except UY
	R 881	GJ250032222199	CARBON RESISTOR	1/6W J 2.2K	Except UY
	R 882	GJ250031232199	CARBON RESISTOR	1/6W J 12K	Except UY
	SW703	GJ390170021204	SWITCH	DETECTOR SWITCH	
	SW704	GJ390170021204	SWITCH	120688	
	T 1	GJ321000720109	IFT	7MM BLACK PCFAZ	
	T-SW	GJ390070031204	PICK UP SWITCH	DOUBLE SWING R8	
	TAB	GJ727400140301	TAB	M4X14X0.3MM	
	VR840	GJ299000510003	VR		Except UY
	W 603	GJ354005930100	WIRE KIT		
	W 606	GJ353030180107	CABLE	3PIN P=2MM L=18	
	W 607	GJ353020120207	CABLE	2PINS P=2.0MM L	
	W 608	GJ354005380100	WIRE KIT	2PINS P=2.0MM	
	WK307	GJ354005940100	WIRE KIT	3PINS P=2MM L	
	WK308	GJ354005950100	WIRE KIT	8PINS P=2MM L	
	X 1	GJ361000130003	CRYSTAL	75KHZ +/-20PPM(
	X 601	GJ361000400009	CRYSTAL	16.9344MHZ HC-4	

■ Electrical parts list (Control board)

Block No. 02

△	Item	Parts number	Parts name	Remarks	Area	△	Item	Parts number	Parts name	Remarks	Area
	C 701	GJ264291042101	C.CAPACITOR	0.1MF F-F 50V			Q 705	GJ312030152210	TRANSISTOR	KTC3195(Y) (TAP)	
	C 702	GJ270112270399	E.CAPACITOR	10V VX M 220UF			Q 707	GJ312010331203	TRANSISTOR	DTC114YS-TP	
	C 703	GJ270112270399	E.CAPACITOR	10V VX M 220UF			Q 711	GJ312010461303	TRANSISTOR	DTA114YS	
	C 704	GJ270112270399	E.CAPACITOR	10V VX M 220UF			Q 712	GJ312010461303	TRANSISTOR	DTA114YS	
	C 705	GJ264141022199	C.CAPACITOR	50V B K 1000PF			Q 713	GJ312030111210	TRANSISTOR	KTC3199TP-GR	
	C 706	GJ264141022199	C.CAPACITOR	50V B K 1000PF			Q 714	GJ312030111210	TRANSISTOR	KTC3199TP-GR	
	C 707	GJ116221321	C.CAPACITOR	50V SL J 39PF			Q 715	GJ312030111210	TRANSISTOR	KTC3199TP-GR	
	C 708	GJ116221121	C.CAPACITOR	50V SL J 33PF			R 701	GJ250034732199	CARBON RESISTOR	1/4WM J 47K	
	C 709	GJ116220721	C.CAPACITOR	50V SL J 22PF			R 702	GJ250034732199	CARBON RESISTOR	1/4WM J 47K	
	C 710	GJ116220721	C.CAPACITOR	50V SL J 22PF			R 703	GJ250034732199	CARBON RESISTOR	1/4WM J 47K	
	C 711	GJ116220721	C.CAPACITOR	50V SL J 22PF			R 704	GJ250031032199	CARBON RESISTOR	1/4WM J 10K	
	C 712	GJ116220721	C.CAPACITOR	50V SL J 22PF			R 705	GJ250031032199	CARBON RESISTOR	1/4WM J 10K	
	C 713	GJ264291042101	C.CAPACITOR	0.1MF F-F 50V			R 706	GJ250031032199	CARBON RESISTOR	1/4WM J 10K	
	C 714	GJ264271032199	C.CAPACITOR	16V Y M 0.01UF			R 707	GJ250031022199	CARBON RESISTOR	1/4WM J 1K	
	C 715	GJ264141022199	C.CAPACITOR	50V B K 1000PF			R 708	GJ250031032199	CARBON RESISTOR	1/4WM J 10K	
	C 716	GJ270114760310	E.CAPACITOR	10V M 47UF 5X11			R 709	GJ250031022199	CARBON RESISTOR	1/4WM J 1K	
	C 717	GJ264291042101	C.CAPACITOR	0.1MF F-F 50V			R 710	GJ250031022199	CARBON RESISTOR	1/4WM J 1K	
	C 718	GJ270192260399	E.CAPACITOR	50V M 22UF			R 711	GJ250031022199	CARBON RESISTOR	1/4WM J 1K	
	C 719	GJ270192260399	E.CAPACITOR	50V M 22UF			R 712	GJ250031022199	CARBON RESISTOR	1/4WM J 1K	
	C 720	GJ264141512199	C.CAPACITOR	50V B K 150PF			R 713	GJ250034732199	CARBON RESISTOR	1/4WM J 47K	
	C 721	GJ264141512199	C.CAPACITOR	50V B K 150PF			R 714	GJ25003222199	CARBON RESISTOR	1/4WM J 2.2K	
	C 723	GJ270191050399	E.CAPACITOR	50V VX M 1UF			R 715	GJ250034732199	CARBON RESISTOR	1/4WM J 47K	
	C 740	GJ264141012199	C.CAPACITOR	50V B K 100PF			R 716	GJ25003222199	CARBON RESISTOR	1/4WM J 2.2K	
	C 741	GJ264271032199	C.CAPACITOR	16V Y M 0.01UF			R 717	GJ250031022199	CARBON RESISTOR	1/4WM J 1K	
	CN701	GJ340021110102	CONNECTOR	P=1.25MM RA 11P			R 718	GJ250031032199	CARBON RESISTOR	1/4WM J 10K	
	CN702	GJ340021200102	CONNECTOR	P=1.25MM RA 20			R 719	GJ250031022199	CARBON RESISTOR	1/4WM J 1K	
	CN703	GJ340021230102	CONNECTOR	P=1.25MM RA 23	Except UY		R 720	GJ250031022199	CARBON RESISTOR	1/4WM J 1K	
	CN703	GJ340021210102	CONNECTOR	P=1.25MM RA 23	UY		R 721	GJ250031022199	CARBON RESISTOR	1/4WM J 1K	
	C1001	GJ264271032199	C.CAPACITOR	16V Y M 0.01UF			R 722	GJ250031022199	CARBON RESISTOR	1/4WM J 1K	
	C1002	GJ264271032199	C.CAPACITOR	16V Y M 0.01UF			R 723	GJ250032212199	CARBON RESISTOR	1/4WM J 220	
	C1003	GJ264141022199	C.CAPACITOR	50V B K 1000PF			R 724	GJ250031022199	CARBON RESISTOR	1/4WM J 1K	
	C1004	GJ264141022199	C.CAPACITOR	50V B K 1000PF			R 725	GJ250033312199	CARBON RESISTOR	1/4WM J 330	
	C1051	GJ264141022199	C.CAPACITOR	50V B K 1000PF			R 727	GJ250031022199	CARBON RESISTOR	1/4WM J 1K	
	C1052	GJ264141022199	C.CAPACITOR	50V B K 1000PF			R 728	GJ250031022199	CARBON RESISTOR	1/4WM J 1K	
	D 701	GJ310010220205	DIODE	1SS133T-77			R 729	GJ250031022199	CARBON RESISTOR	1/4WM J 1K	
	D 702	GJ310010220205	DIODE	1SS133T-77			R 730	GJ250031022199	CARBON RESISTOR	1/4WM J 1K	
	D 703	GJ310010220205	DIODE	1SS133T-77			R 731	GJ250031022199	CARBON RESISTOR	1/4WM J 1K	
	FF701	GJ353110270107	FFC CABLE				R 732	GJ250031022199	CARBON RESISTOR	1/4WM J 1K	
	FF702	GJ353200180107	FFC CABLE				R 733	GJ250034722199	CARBON RESISTOR	1/4WM J 4.7K	
	FF703	GJ353210180107	FFC CABLE				R 734	GJ250034722199	CARBON RESISTOR	1/4WM J 4.7K	
	FF703	GJ353230180107	FFC CABLE				R 736	GJ250031012199	CARBON RESISTOR	1/4WM J 100	
	FHOLD	GJ153321741	HOLDER	HOLDER			R 737	GJ250031012199	CARBON RESISTOR	1/4WM J 100	
	FL701	GJ373020041000	FL DISPLAY	BJ828GNK			R 738	GJ250032212199	CARBON RESISTOR	1/4WM J 220	
	FW110	GJ353040370107	CABLE	4PIN P=2.5 L=37			R 739	GJ250032212199	CARBON RESISTOR	1/4WM J 220	
	FW701	GJ353100200207	CABLE	10PINS UL2651			R 740	GJ250032212199	CARBON RESISTOR	1/4WM J 220	
	FW702	GJ353020100107	CABLE FLAT	P=2.54 2PINS U			R 741	GJ250033312199	CARBON RESISTOR	1/4WM J 330	
	IC701	GJ313010663223	IC	MN101C35DYC1			R 742	GJ25003222199	CARBON RESISTOR	1/4WM J 2.2K	
	IC702	GJ313040901006	IC	SPS-440-1-EIIR			R 743	GJ25003222199	CARBON RESISTOR	1/4WM J 2.2K	
	J 61	GJ686062350000	BARE WIRE	DIA=0.6MM (10MM			R 744	GJ250032212199	CARBON RESISTOR	1/4WM J 220	
	JP701	GJ686062350000	BARE WIRE	DIA=0.6MM (5MM			R 745	GJ25003222199	CARBON RESISTOR	1/4WM J 2.2K	
	J1053	GJ342010240113	JACK	D=3.5MM (MSJ-0			R 746	GJ25003222199	CARBON RESISTOR	1/4WM J 2.2K	
	L 701	GJ241112202102	INDUCTOR	22UH 10% Q40			R 747	GJ25003222199	CARBON RESISTOR	1/4WM J 2.2K	
	L 702	GJ241111002102	INDUCTOR	10UH 5% Q40			R 748	GJ25003222199	CARBON RESISTOR	1/4WM J 2.2K	
	L 703	GJ371010100005	FERRITE BEAD	LGK0305TBA			R 749	GJ250034722199	CARBON RESISTOR	1/4WM J 4.7K	
	L 707	GJ241111002102	INDUCTOR	10UH 5% Q40			R 750	GJ250034722199	CARBON RESISTOR	1/4WM J 4.7K	
	LED01	GJ374301012101	LED				R 751	GJ250034722199	CARBON RESISTOR	1/4WM J 4.7K	
	L1051	GJ241114702102	INDUCTOR	47UH 10% Q40			R 752	GJ250034722199	CARBON RESISTOR	1/4WM J 4.7K	
	L1052	GJ241114702102	INDUCTOR	47UH 10% Q40			R 753	GJ25003222199	CARBON RESISTOR	1/4WM J 2.2K	
	L1053	GJ371010100005	FERRITE BEAD	LGK0305TBA			R 754	GJ25003222199	CARBON RESISTOR	1/4WM J 2.2K	
	Q 701	GJ312030111210	TRANSISTOR	KTC3199TP-GR			R 755	GJ25003222199	CARBON RESISTOR	1/4WM J 2.2K	
	Q 702	GJ312030111210	TRANSISTOR	KTC3199TP-GR			R 756	GJ25003222199	CARBON RESISTOR	1/4WM J 2.2K	
	Q 703	GJ312030111210	TRANSISTOR	KTC3199TP-GR			R 757	GJ250031022199	CARBON RESISTOR	1/4WM J 1K	
	Q 704	GJ312030152210	TRANSISTOR	KTC3195(Y) (TAP			R 758	GJ25003222199	CARBON RESISTOR	1/4WM J 2.2K	

■ Electrical parts list (Control board)

Block No. 02

△	Item	Parts number	Parts name	Remarks	Area	△	Item	Parts number	Parts name	Remarks	Area
	R 759	GJ250032292199	CARBON RESISTOR	1/4WM J 2.2			R1005	GJ250031522199	CARBON RESISTOR	1/4WM J 1.5K	Except UY
	R 760	GJ250032292199	CARBON RESISTOR	1/4WM J 2.2			R1006	GJ250032222199	CARBON RESISTOR	1/4WM J 2.2K	Except UY
	R 761	GJ250034732199	CARBON RESISTOR	1/4WM J 47K			R1007	GJ686062350000	CARBON RESISTOR		Except UY
	R 762	GJ250031032199	CARBON RESISTOR	1/4WM J 10K			R1008	GJ250036812199	CARBON RESISTOR	1/4WM J 680	
	R 768	GJ250031042199	CARBON RESISTOR	1/4WM J 100K			R1009	GJ250036812199	CARBON RESISTOR	1/4WM J 680	
	R 769	GJ250031022199	CARBON RESISTOR	1/4WM J 1K			R1010	GJ250036812199	CARBON RESISTOR	1/4WM J 680	
	R 770	GJ250032222199	CARBON RESISTOR	1/4WM J 2.2K			R1011	GJ250038212199	CARBON RESISTOR	1/4WM J 820	
	R 772	GJ250032222199	CARBON RESISTOR	1/4WM J 2.2K			R1012	GJ250031022199	CARBON RESISTOR	1/4WM J 1K	
	R 773	GJ250032222199	CARBON RESISTOR	1/4WM J 2.2K			R1013	GJ250031522199	CARBON RESISTOR	1/4WM J 1.5K	
	R 774	GJ250031822199	CARBON RESISTOR	1/4WM J 1.8K			R1014	GJ250032222199	CARBON RESISTOR	1/4WM J 2.2K	
	R 775	GJ250031022199	CARBON RESISTOR	1/4WM J 1K			R1015	GJ250032722199	CARBON RESISTOR	1/4WM J 2.7K	
	R 776	GJ250031032199	CARBON RESISTOR	1/4WM J 10K			R1016	GJ250035622199	CARBON RESISTOR	1/4WM J 5.6K	UX
	R 777	GJ250034732199	CARBON RESISTOR	1/4WM J 47K			R1016	GJ250031832199	CARBON RESISTOR	1/4WM J18K	UY
	R 778	GJ250031022199	CARBON RESISTOR	1/4WM J 1K			R1017	GJ250036812199	CARBON RESISTOR	1/4WM J 680	
	R 779	GJ250031032199	CARBON RESISTOR	1/4WM J 10K			R1018	GJ250036812199	CARBON RESISTOR	1/4WM J 680	
	R 780	GJ250032222199	CARBON RESISTOR	1/4WM J 2.2K			R1019	GJ250038212199	CARBON RESISTOR	1/4WM J 820	
	R 781	GJ250031022199	CARBON RESISTOR	1/4WM J 1K			R1020	GJ250031022199	CARBON RESISTOR	1/4WM J 1K	
	R 782	GJ250032222199	CARBON RESISTOR	1/4WM J 2.2K			R1021	GJ250031522199	CARBON RESISTOR	1/4WM J 1.5K	
	R 783	GJ250034732199	CARBON RESISTOR	1/4WM J 47K			R1022	GJ250032222199	CARBON RESISTOR	1/4WM J 2.2K	
	R 784	GJ250032222199	CARBON RESISTOR	1/4WM J 2.2K			R1023	GJ250032722199	CARBON RESISTOR	1/4WM J 2.7K	
	R 785	GJ250032222199	CARBON RESISTOR	1/4WM J 2.2K			R1024	GJ250035622199	CARBON RESISTOR	1/4WM J 5.6K	
	R 786	GJ250031032199	CARBON RESISTOR	1/4WM J 10K			R1025	GJ250031232199	CARBON RESISTOR	1/4WM J 12K	
	R 787	GJ250031032199	CARBON RESISTOR	1/4WM J 10K			R1026	GJ250036812199	CARBON RESISTOR	1/4WM J 680	
	R 788	GJ250031022199	CARBON RESISTOR	1/4WM J 1K			R1027	GJ250036812199	CARBON RESISTOR	1/4WM J 680	
	R 789	GJ250032222199	CARBON RESISTOR	1/4WM J 2.2K			R1028	GJ250038212199	CARBON RESISTOR	1/4WM J 820	
	R 790	GJ250031022199	CARBON RESISTOR	1/4WM J 1K			R1029	GJ250031022199	CARBON RESISTOR	1/4WM J 1K	
	R 791	GJ250031012199	CARBON RESISTOR	1/4WM J 100			R1030	GJ250031522199	CARBON RESISTOR	1/4WM J 1.5K	
	R 792	GJ250033312199	CARBON RESISTOR	1/4WM J 330			R1031	GJ250032222199	CARBON RESISTOR	1/4WM J 2.2K	
	R 793	GJ250031032199	CARBON RESISTOR	1/4WM J 10K			R1032	GJ250032722199	CARBON RESISTOR	1/4WM J 2.7K	
	R 794	GJ250034732199	CARBON RESISTOR	1/4WM J 47K			R1033	GJ250035622199	CARBON RESISTOR	1/4WM J 5.6K	
	RA701	GJ250034732199	CARBON RESISTOR	1/4WM J 47K			R1034	GJ250031232199	CARBON RESISTOR	1/4WM J 12K	
	RA702	GJ250034732199	CARBON RESISTOR	1/4WM J 47K			R1037	GJ250032232199	CARBON RESISTOR	1/4WM J 22K	
	RA703	GJ250034732199	CARBON RESISTOR	1/4WM J 47K			R1038	GJ250032232199	CARBON RESISTOR	1/4WM J 22K	
	RA704	GJ250034732199	CARBON RESISTOR	1/4WM J 47K			R1039	GJ250031242199	CARBON RESISTOR	1/4WM J 120K	
	RA705	GJ250034732199	CARBON RESISTOR	1/4WM J 47K			R1040	GJ250031242199	CARBON RESISTOR	1/4WM J 120K	
	RA706	GJ250034732199	CARBON RESISTOR	1/4WM J 47K			R1041	GJ250035632199	CARBON RESISTOR	1/4WM J 56K	
	RA707	GJ250034732199	CARBON RESISTOR	1/4WM J 47K			R1042	GJ250035632199	CARBON RESISTOR	1/4WM J 56K	
	RA708	GJ250034732199	CARBON RESISTOR	1/4WM J 47K			R1043	GJ250034732199	CARBON RESISTOR	1/4WM J 47K	
	RA709	GJ250034732199	CARBON RESISTOR	1/4WM J 47K			R1047	GJ250034732199	CARBON RESISTOR	1/4WM J 47K	
	RA710	GJ250034732199	CARBON RESISTOR	1/4WM J 47K			R1048	GJ250031032199	CARBON RESISTOR	1/4WM J 10K	
	RA711	GJ250034732199	CARBON RESISTOR	1/4WM J 47K			R1060	GJ250034732199	CARBON RESISTOR	1/4WM J 47K	
	RA712	GJ250034732199	CARBON RESISTOR	1/4WM J 47K			R1061	GJ250031022199	CARBON RESISTOR	1/4WM J 1K	
	RA713	GJ250034732199	CARBON RESISTOR	1/4WM J 47K			R1062	GJ250032212199	CARBON RESISTOR	1/4WM J 220	
	RA714	GJ250034732199	CARBON RESISTOR	1/4WM J 47K			R1063	GJ250032212199	CARBON RESISTOR	1/4WM J 220	
	RA715	GJ250034732199	CARBON RESISTOR	1/4WM J 47K			R1064	GJ250031232199	CARBON RESISTOR	1/4WM J 12K	
	RA716	GJ250034732199	CARBON RESISTOR	1/4WM J 47K			R1065	GJ250031022199	CARBON RESISTOR	1/4WM J 1K	
	RA717	GJ250034732199	CARBON RESISTOR	1/4WM J 47K			R1066	GJ250031032199	CARBON RESISTOR	1/4WM J 10K	
	RA718	GJ250034732199	CARBON RESISTOR	1/4WM J 47K			R1067	GJ250031022199	CARBON RESISTOR	1/4WM J 1K	
	RA719	GJ250034732199	CARBON RESISTOR	1/4WM J 47K			R1068	GJ250031032199	CARBON RESISTOR	1/4WM J 10K	
	RA720	GJ250034732199	CARBON RESISTOR	1/4WM J 47K			R1069	GJ250034732199	CARBON RESISTOR	1/4WM J 47K	
	RA721	GJ250034732199	CARBON RESISTOR	1/4WM J 47K			R1070	GJ250034732199	CARBON RESISTOR	1/4WM J 47K	
	RA722	GJ250034732199	CARBON RESISTOR	1/4WM J 47K			R1071	GJ250034732199	CARBON RESISTOR	1/4WM J 47K	
	RA723	GJ250034732199	CARBON RESISTOR	1/4WM J 47K			R1072	GJ250034732199	CARBON RESISTOR	1/4WM J 47K	
	RA724	GJ250034732199	CARBON RESISTOR	1/4WM J 47K			R1073	GJ250034732199	CARBON RESISTOR	1/4WM J 47K	
	RA725	GJ250034732199	CARBON RESISTOR	1/4WM J 47K			R1074	GJ250034732199	CARBON RESISTOR	1/4WM J 47K	
	RA726	GJ250034732199	CARBON RESISTOR	1/4WM J 47K			R1075	GJ250034732199	CARBON RESISTOR	1/4WM J 47K	
	RA727	GJ250034732199	CARBON RESISTOR	1/4WM J 47K			R1080	GJ250034702199	CARBON RESISTOR	1/4WM J 47	
	RA728	GJ250034732199	CARBON RESISTOR	1/4WM J 47K			S 999	GJ390180043221	SELECTOR	CM-TA9807030-1	Except UY
	RA729	GJ250034732199	CARBON RESISTOR	1/4WM J 47K			S1001	GJ390110181120	TACT SWITCH	(POWER)	
	R1001	GJ250036812199	CARBON RESISTOR	1/4WM J 680			S1001	GJ299000570003	ENCODER	VR EVEKD2F3024B	
	R1002	GJ250036812199	CARBON RESISTOR	1/4WM J 680			S1002	GJ390110181120	TACT SWITCH	(TAPE)	
	R1003	GJ250038212199	CARBON RESISTOR	1/4WM J 820			S1003	GJ390110181120	TACT SWITCH	(AUX)	
	R1004	GJ250031022199	CARBON RESISTOR	1/4WM J 1K			S1004	GJ390110181120	TACT SWITCH	(BAND)	

■ Electrical parts list (Control board)

Block No. 02

△	Item	Parts number	Parts name	Remarks	Area
	S1005	GJ390110181120	TACT SWITCH	(CANCEL)	
	S1006	GJ390110181120	TACT SWITCH	(SET)	
	S1007	GJ390110181120	TACT SWITCH	(CD)	
	S1008	GJ390110181120	TACT SWITCH	(CD1)	
	S1009	GJ390110181120	TACT SWITCH	(CD2)	
	S1010	GJ390110181120	TACT SWITCH	(CD3)	
	S1011	GJ390110181120	TACT SWITCH	(EJECT)	
	S1012	GJ390110181120	TACT SWITCH	(DISC)	
	S1013	GJ390110181120	TACT SWITCH	(DECK A/B)	
	S1014	GJ390110181120	TACT SWITCH	(TIM/CLK)	
	S1015	GJ390110181120	TACT SWITCH	(STOP)	
	S1016	GJ390110181120	TACT SWITCH	(TUN+)	
	S1017	GJ390110181120	TACT SWITCH	(TUN-)	
	S1018	GJ390110181120	TACT SWITCH	(PRESET-)	
	S1019	GJ390110181120	TACT SWITCH	(PRESET+)	
	S1020	GJ390110181120	TACT SWITCH	(ROCK)	
	S1021	GJ390110181120	TACT SWITCH	(CLASSIC)	
	S1022	GJ390110181120	TACT SWITCH	(POP)	
	S1023	GJ390110181120	TACT SWITCH	(A.BASS)	
	S1025	GJ390110181120	TACT SWITCH	(REC)	
	S1026	GJ390110181120	TACT SWITCH	(DUBBING)	
	S1027	GJ390110181120	TACT SWITCH	(CD REC)	
	S1028	GJ390110181120	TACT SWITCH	(REPEAT)	
	S1029	GJ390110181120	TACT SWITCH	(PROGRAM)	
	S1030	GJ390110181120	TACT SWITCH	(RANDOM)	
	S1031	GJ390110181120	TACT SWITCH	(DISPLAY)	
	S1032	GJ390110181120	TACT SWITCH	(PTY/EON)	
	S1033	GJ390110181120	TACT SWITCH	(SELECT+)	
	S1034	GJ390110181120	TACT SWITCH	(SELECT-)	
	X 701	GJ362000370001	RESONATOR	RESONATOR CER C	
	X 702	GJ361000230009	CRYSTAL	32.768KHZ DT-38	

■ Electrical parts list (Control board)

Block No. 03

△	Item	Parts number	Parts name	Remarks	Area
	C 118	GJ270144750399	E.CAPACITOR	25V VX M 4.7UF	
	C 119	GJ116229021	C.CAPACITOR	50V B K 470PF	
	C 120	GJ264142212199	C.CAPACITOR	50V B K 220PF	
	C 121	GJ270194760399	E.CAPACITOR	50V VX M 47UF	
	C 123	GJ116219921	C.CAPACITOR	50V SL J 10PF	
	C 125	GJ283101042415	P.CAPACITOR	50V K 0.1UF	
	C 126	GJ283101042415	P.CAPACITOR	50V K 0.1UF	
	C 218	GJ270144750399	E.CAPACITOR	25V VX M 4.7UF	
	C 219	GJ116229021	C.CAPACITOR	50V B K 470PF	
	C 220	GJ264142212199	C.CAPACITOR	50V B K 220PF	
	C 221	GJ270194760399	E.CAPACITOR	50V VX M 47UF	
	C 221	GJ270191070399	E.CAPACITOR	50V M 100UF	
	C 223	GJ116219921	C.CAPACITOR	50V SL J 10PF	
	C 225	GJ283101042415	P.CAPACITOR	50V K 0.1UF	
	C 226	GJ283101042415	P.CAPACITOR	50V K 0.1UF	
	C 351	GJ270141060399	E.CAPACITOR	25V VX M 10UF	
	C 352	GJ270191050399	E.CAPACITOR	50V VX M 1UF	
	C 353	GJ270124760399	E.CAPACITOR	16V M 47UF	
	C 354	GJ270122260399	E.CAPACITOR	16V VX M 22UF	
	C 355	GJ270141060399	E.CAPACITOR	25V VX M 10UF	
	C 381	GJ116259621	C.CAPACITOR	25V F Z 0.022UF	
	C 390	GJ270112270399	E.CAPACITOR	10V VX M 220UF	
	C 901	GJ283106832415	P.CAPACITOR	100V K 0.068UF	
	C 902	GJ283106832415	P.CAPACITOR	100V K 0.068UF	
	C 903	GJ283106832415	P.CAPACITOR	100V K 0.068UF	
	C 904	GJ283106832415	P.CAPACITOR	100V K 0.068UF	
△	C 905	GJ270193380699	E.CAPACITOR	50V SM M 3300UF	
△	C 906	GJ270193380699	E.CAPACITOR	50V SM M 3300UF	
	C 907	GJ264291042101	C.CAPACITOR	0.1MF F-F 50V	
	C 908	GJ264291042101	C.CAPACITOR	0.1MF F-F 50V	
	C 909	GJ264291042101	C.CAPACITOR	0.1MF F-F 50V	
	C 910	GJ264291042101	C.CAPACITOR	0.1MF F-F 50V	
△	C 911	GJ270144780199	E.CAPACITOR	25V M 4700UF	
	C 912	GJ270194760399	E.CAPACITOR	63V VX M 47UF	
	C 913	GJ270192260399	E.CAPACITOR	50V VX M 22UF	
	C 914	GJ264271032199	C.CAPACITOR	16V Y M 0.01UF	
	C 915	GJ270192260399	E.CAPACITOR	50V VX M 22UF	
	C 916	GJ270141060399	E.CAPACITOR	25V VX M 10UF	
	C 917	GJ270192250399	E.CAPACITOR	50V VX M 2.2UF	
	C 918	GJ264271032199	C.CAPACITOR	16V Y M 0.01UF	
	C 919	GJ270111070399	E.CAPACITOR	10V M 100UF	
	C 920	GJ264141042199	C.CAPACITOR	50V K B 0.1MF	
	C 921	GJ270121070399	E.CAPACITOR	16V VX M 100UF	
	C 922	GJ270141060399	E.CAPACITOR	25V VX M 10UF	
	CN110	GJ340072040102	CONNECTOR	4PINS P=2.5MM	
	CN901	GJ340022110102	CONNECTOR	P=1.25MM 11PIN	
	CN902	GJ340072030102	CONNECTOR	3PIN 3/3	
	CN902	GJ340072040102	CONNECTOR	4PIN 2/3	
	CN902	GJ340072040102	CONNECTOR	4PIN 1/3	
	CN951	GJ340072050102	CONNECTOR	5PINS 2/2	
	CN951	GJ340072040102	CONNECTOR	4PINS 1/2	
	D 304	GJ310010220205	DIODE	1SS133T-77	
	D 305	GJ686062350000	BARE WIRE	DIA=0.6MM (5MM)	
	D 317	GJ310010220205	DIODE	1SS133T-77	
	D 318	GJ310010220205	DIODE	1SS133T-77	
	D 325	GJ310010220205	DIODE	1SS133T-77	
	D 326	GJ310010220205	DIODE	1SS133T-77	
	D 327	GJ310010220205	DIODE	1SS133T-77	
△	D 901	GJ310020320223	BRIDGE DIODE	DIODE TS6B02G	
△	D 902	GJ310020020104	DIODE	RECT 1N4001	
△	D 903	GJ310020020104	DIODE	RECT 1N4001	
△	D 904	GJ310020020104	DIODE	RECT 1N4001	
△	D 905	GJ310020020104	DIODE	RECT 1N4001	

△	Item	Parts number	Parts name	Remarks	Area
	D 906	GJ310020020104	DIODE	RECT 1N4001	
	D 907	GJ310030018905	ZENER DIODE	MTZJ-T-77-33C	
	D 908	GJ310030011105	ZENER DIODE	MTZJ-T-77-6.2A	
	D 909	GJ310010220205	DIODE	1SS133T-77	
	D 910	GJ310030011105	ZENER DIODE	MTZJ-T-77-6.2A	
	D 911	GJ310030012205	ZENER DIODE	MTZJ-T-77-5.6A	
	D 912	GJ310030016205	ZENER DIODE	MTZJ-T-77-13C	
	D 913	GJ310030133305	ZENER DIODE	MTZJ-T-77-12C	
	D 915	GJ310030012705	ZENER DIODE	MTZJ-T-77-6.8B	
	D 916	GJ310010220205	DIODE	1SS133T-77	
	IC304	GJ313040571406	IC	STK402-070	
	J 303	GJ342020150913	JACK	SPK 4PINS RED/B	
	L 101	GJ320080170105	COIL	10X19.5TX0.8MM	
	L 201	GJ320080170105	COIL	10X19.5TX0.8MM	
	Q 103	GJ312030111210	TRANSISTOR	KTC3199TP-GR	
	Q 104	GJ312011231210	TRANSISTOR	KTA1267Y	
	Q 105	GJ312030111210	TRANSISTOR	KTC3199TP-GR	
	Q 203	GJ312030111210	TRANSISTOR	KTC3199TP-GR	
	Q 204	GJ312011231210	TRANSISTOR	KTA1267Y	
	Q 205	GJ312030111210	TRANSISTOR	KTC3199TP-GR	
	Q 307	GJ312030111210	TRANSISTOR	KTC3199TP-GR	
	Q 331	GJ312030131210	TRANSISTOR	KTC3200 (GR)	
	Q 332	GJ312011911210	TRANSISTOR	KTA1268(GR)	
	Q 333	GJ312010331203	TRANSISTOR	DTC114YS-TP	
	Q 334	GJ312010461303	TRANSISTOR	DTA114YS	
	Q 335	GJ312010461303	TRANSISTOR	DTA114YS	
	Q 336	GJ312030111210	TRANSISTOR	KTC3199TP-GR	
	Q 337	GJ312030111210	TRANSISTOR	KTC3199TP-GR	
	Q 338	GJ312030111210	TRANSISTOR	KTC3199TP-GR	
	Q 339	GJ312010331203	TRANSISTOR	DTC114YS-TP	
	Q 901	GJ312090191203	TRANSISTOR	2SA934R	
	Q 902	GJ312010331203	TRANSISTOR	DTC114YS-TP	
	Q 903	GJ312010331203	TRANSISTOR	DTC114YS-TP	
△	Q 904	GJ312011241210	TRANSISTOR	KTB1366Y	
	Q 905	GJ312030111210	TRANSISTOR	KTC3199TP-GR	
	Q 906	GJ312030111210	TRANSISTOR	KTC3199TP-GR	
△	Q 907	GJ312011241210	TRANSISTOR	KTB1366Y	
	Q 908	GJ312011231210	TRANSISTOR	KTA1267Y	
	Q 909	GJ312010461303	TRANSISTOR	DTA114YS	
	Q 910	GJ312010331203	TRANSISTOR	DTC114YS-TP	
	Q 911	GJ312030111210	TRANSISTOR	KTC3199TP-GR	
	Q 912	GJ312010331203	TRANSISTOR	DTC114YS-TP	
	R 117	GJ25003222199	CARBON RESISTOR	1/4WM J 2.2K	
	R 118	GJ250034722199	CARBON RESISTOR	1/4WM J 4.7K	
	R 119	GJ250031032199	CARBON RESISTOR	1/4WM J 10K	
	R 120	GJ250035632199	CARBON RESISTOR	1/4WM J 56K	
	R 121	GJ250031522199	CARBON RESISTOR	1/4WM J 1.5K	
	R 123	GJ250034732199	CARBON RESISTOR	1/4WM J 47K	
	R 124	GJ250031522199	CARBON RESISTOR	1/4WM J 1.5K	
△	R 125	GJ259022281899	MF RESISTOR		
△	R 126	GJ259022281899	MF RESISTOR		
△	R 127	GJ255051511699	FUSEBLE RESISTO	1/4W J 150	
	R 128	GJ250032202199	CARBON RESISTOR	1/4WM J 22	
	R 129	GJ250032202199	CARBON RESISTOR	1/4WM J 22	
	R 130	GJ250032202199	CARBON RESISTOR	1/4WM J 22	
	R 131	GJ250031032199	CARBON RESISTOR	1/4WM J 10K	
△	R 132	GJ255053911699	FUSEBLE RESISTO	1/4W J 390	
△	R 133	GJ255053911699	FUSEBLE RESISTO	1/4W J 390	
	R 134	GJ250031032199	CARBON RESISTOR	1/4WM J 10K	
	R 136	GJ250031022199	CARBON RESISTOR	1/4WM J 1K	
	R 137	GJ250031042199	CARBON RESISTOR	1/4WM J 100K	
	R 138	GJ250031022199	CARBON RESISTOR	1/4WM J 1K	
	R 139	GJ250031032199	CARBON RESISTOR	1/4WM J 10K	

■ Electrical parts list (Amp board)

Block No. 03

△	Item	Parts number	Parts name	Remarks	Area
	R 150	GJ250032202199	CARBON RESISTOR	1/4WM J 22	
	R 151	GJ250031532199	CARBON RESISTOR	1/4WM J 15	
	R 152	GJ250034732199	CARBON RESISTOR	1/4WM J 47K	
	R 217	GJ250032222199	CARBON RESISTOR	1/4WM J 2.2K	
	R 218	GJ250034722199	CARBON RESISTOR	1/4WM J 4.7K	
	R 219	GJ250031032199	CARBON RESISTOR	1/4WM J 10K	
	R 220	GJ250035632199	CARBON RESISTOR	1/4WM J 56K	
	R 221	GJ250031522199	CARBON RESISTOR	1/4WM J 1.5K	
	R 223	GJ250034732199	CARBON RESISTOR	1/4WM J 47K	
	R 224	GJ250031522199	CARBON RESISTOR	1/4WM J 1.5K	
	R 225	GJ259022281899	MF RESISTOR		
	R 226	GJ259022281899	MF RESISTOR		
	R 227	GJ255051511699	FUSEBLE RESISTO	1/4W J 150	
	R 228	GJ250032202199	CARBON RESISTOR	1/4WM J 22	
	R 229	GJ250032202199	CARBON RESISTOR	1/4WM J 22	
	R 230	GJ250032202199	CARBON RESISTOR	1/4WM J 22	
	R 231	GJ250031032199	CARBON RESISTOR	1/4WM J 10K	
△	R 232	GJ255053911699	FUSEBLE RESISTO	1/4W J 390	
△	R 233	GJ255053911699	FUSEBLE RESISTO	1/4W J 390	
	R 234	GJ250031032199	CARBON RESISTOR	1/4WM J 10K	
	R 235	GJ250031032199	CARBON RESISTOR	1/4WM J 10K	
	R 236	GJ250031022199	CARBON RESISTOR	1/4WM J 1K	
	R 237	GJ250031042199	CARBON RESISTOR	1/4WM J 100K	
	R 238	GJ250031022199	CARBON RESISTOR	1/4WM J 1K	
	R 239	GJ250031032199	CARBON RESISTOR	1/4WM J 10K	
	R 250	GJ250032202199	CARBON RESISTOR	1/4WM J 22	
	R 251	GJ250031532199	CARBON RESISTOR	1/4WM J 15	
	R 313	GJ250034712199	CARBON RESISTOR	1/4WM J 470	
	R 314	GJ250034742199	CARBON RESISTOR	1/4WM J 470K	
	R 315	GJ250032222199	CARBON RESISTOR	1/4WM J 2.2K	
	R 381	GJ250031042199	CARBON RESISTOR	1/4WM J 100K	
	R 382	GJ250032232199	CARBON RESISTOR	1/4WM J 22K	
	R 383	GJ250034732199	CARBON RESISTOR	1/4WM J 47K	
	R 384	GJ250031032199	CARBON RESISTOR	1/4WM J 10K	
	R 385	GJ250031042199	CARBON RESISTOR	1/4WM J 100K	
	R 386	GJ250031002199	CARBON RESISTOR	1/4WM J 10	
	R 387	GJ250031502199	CARBON RESISTOR	1/4WM J 15	
	R 388	GJ250032222199	CARBON RESISTOR	1/4WM J 2.2K	
	R 389	GJ250031032199	CARBON RESISTOR	1/4WM J 10K	
	R 390	GJ250035612199	CARBON RESISTOR	1/4WM J 560	
	R 391	GJ250032222199	CARBON RESISTOR	1/4WM J 2.2K	
△	R 901	GJ250034722199	CARBON RESISTOR	1/4WM J 4.7K	
	R 902	GJ255051011699	FUSEBLE RESIST	1/4W J 100 KICK	
	R 903	GJ250032222199	CARBON RESISTOR	1/4WM J 2.2K	
	R 904	GJ250031012199	CARBON RESISTOR	1/4WM J 100	
	R 905	GJ250031012199	CARBON RESISTOR	1/4WM J 100	
	R 906	GJ250031032199	CARBON RESISTOR	1/4WM J 10K	
	R 907	GJ250031022199	CARBON RESISTOR	1/4WM J 1K	
△	R 908	GJ255052291699	FUSEBLE RESISTO	1/4W J 2.2 OHM	
	R 909	GJ250034732199	CARBON RESISTOR	1/4WM J 47K	
	R 910	GJ250032232199	CARBON RESISTOR	1/4WM J 22K	
	R 911	GJ250033322199	CARBON RESISTOR	1/4WM J 3.3K	
	R 912	GJ250034712199	CARBON RESISTOR	1/4WM J 470	
	R 913	GJ250034712199	CARBON RESISTOR	1/4WM J 470	
	R 914	GJ250031092199	CARBON RESISTOR	1/4WM J 1	
	R 915	GJ250031092199	CARBON RESISTOR	1/4WM J 1	
	R 916	GJ250031092199	CARBON RESISTOR	1/4WM J 1	
	R 917	GJ250031022199	CARBON RESISTOR	1/4WM J 1K	
	RY301	GJ391000080002	RELAY	(12V) OSA-SS-21	

■ Electrical parts list (AC power board)

Block No. 04

△	Item	Parts number	Parts name	Remarks	Area
△	F 951	GJ369000740009	FUSE	2A 250V	Except UY
△	F 951	GJ369000630009	FUSE	1.6A 250V	UY
△	F 952	GJ369000700009	FUSE	1.25A 250V	UY
△	F 952	GJ369000630009	FUSE	1.6A 250V	Except UY
△	F 953	GJ369000700009	FUSE	TIME-LAG 1.25A	Except UY
	FUHOL	GJ153321741	FUSE HOLDER		
	FW951	GJ353090190107	CABLE	CABLE FLAT 9PIN	
	TB901	GJ727000010000	SOLDERING -LUG	SOLDERING TAPIN	
	TB902	GJ727000010000	SOLDERING -LUG	SOLDERING TAPIN	

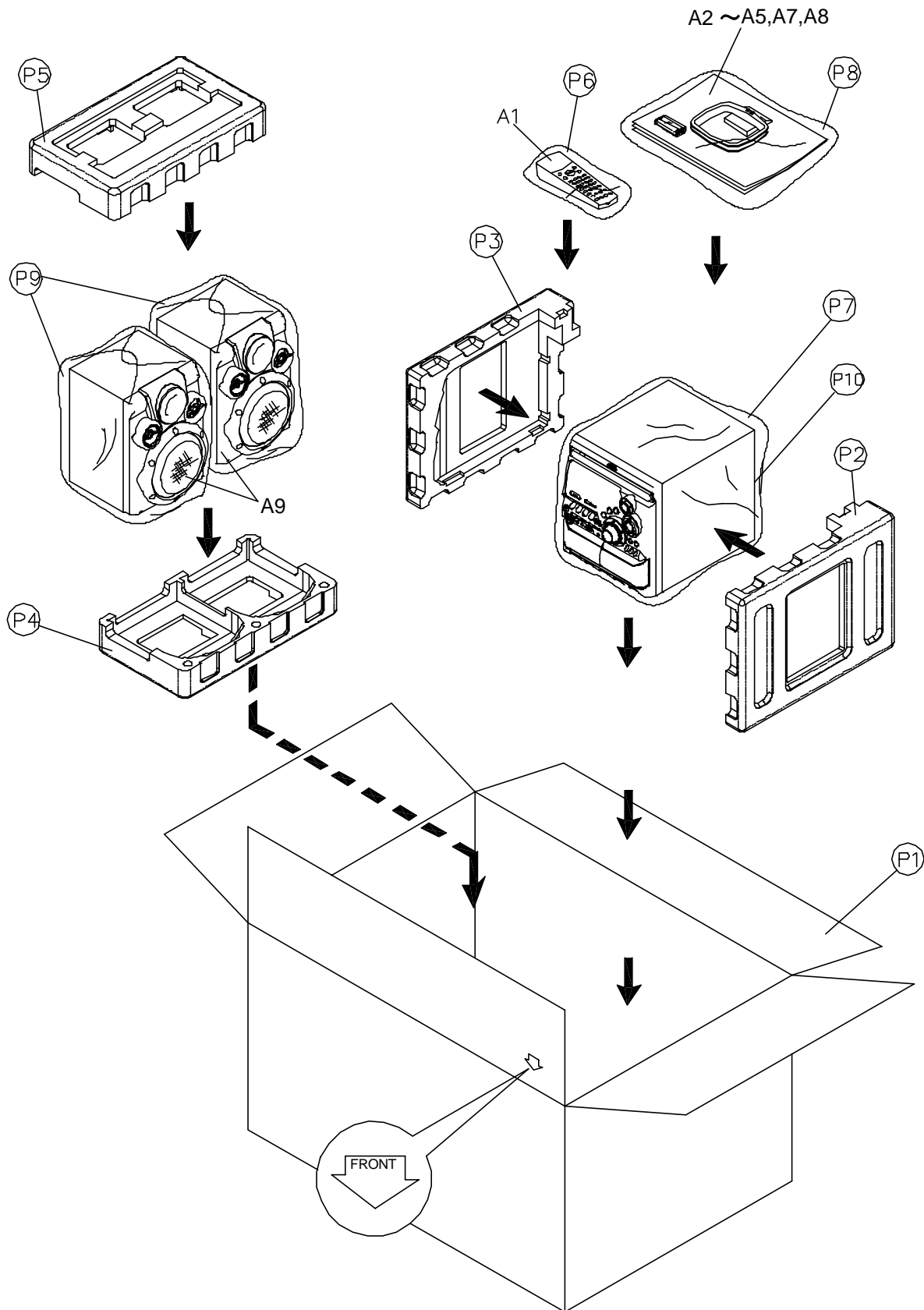
Packing materials and accessories parts list

Block No.

M	4	M	M
---	---	---	---

Block No.

M	5	M	M
---	---	---	---



Parts list (Packing)

Block No. M4MM

⚠	Item	Parts number	Parts name	Q'ty	Description	Area
	P 1	GJ560532400101	CARTON	1		US UX UW UT UJ
		GJ560532500101	CARTON	1		UY
	P 2	GJ560531300101	POLYFOAM	1	RIGHT	
	P 3	GJ560531200101	POLYFOAM	1	LEFT	
	P 4	GJ560531000101	POLYFOAM	1	BOTTOM	
	P 5	GJ560530900101	POLYFOAM	1	TOP	
	P 6	GJ740082550400	POLYBAG	1	FOR REMOTE	
	P 7	GJ740707020300	POLYBAG	1	FOR MX-K3 SET	
	P 8	GJ740362550000	POLYBAG	1	FOR ACCESSORIES	
	P 9	GJ740486230300	POLYBAG	2	FOR SPEAKER	
	P 10	GJ740122550000	POLYBAG	1	FOR POWER CORD	

Parts list (Accessories)

Block No. M5MM

⚠	Item	Parts number	Parts name	Q'ty	Description	Area
	A 1	GJA1002037001C	REMOCON	1		UT
		GJA1002036001C	REMOCON	1		US UX UW UJ
		GJA1002035001C	REMOCON	1		UY
	A 2	GJA2052001001C	AM LOOP ANTENNA	1	HST-D4A	
	A 3	-----	BATTERY	1	R6SPTT/2STA	
	A 4	GJ773012930101	INSTRUCTIONS	1	SPA ARA	US UX UJ
		GJ773012930101	INSTRUCTIONS	1	ENG CHI(PEKIN)	US UX UJ
		GJ773012940101	INSTRUCTIONS	1	CHI(TAIWAN)	UT
		GJ773012960101	INSTRUCTIONS	1	ENG SPA POL	UW
		GJ773012970101	INSTRUCTIONS	1	SPA	UY
	A 5	GJ351001402431	FM ANTENNA	1		
⚠	A 7	GJ338030030002	PLUG CONVERSION	1	2P ENZ220	US UJ
⚠	A 8	GJ338030020002	PLUG CONVERSION	1	AC250/12	UX UT
	A 9	MXK3R-SPBOX-R	SPEAKER BOX	1	R	
		MXK3R-SPBOX-L	SPEAKER BOX	1	L	